


Sparlee Profile

Catalogue
Window & Door System

 Dalian Shide Plastic Building Materials Co., Ltd.

Address: Changxing Island, Harbor Industrial Zone, Dalian, China

Homepage: www.shide.com www.shideexport.com

Fax: +86 411 8812 8281

Tel: +86 411 8812 8034

E-mail: info@shideexport.com



DALIAN SHIDE GROUP



Improving the living environment of humankind
and enhancing the quality of life for all humankind

Introduction of Shide Group

Dalian Shide Group was founded in 1992, and becomes a large-scale enterprise oriented with chemical building materials industry through more than 20 years' rapid development. Headquartered in Dalian and ready to face the world, Shide has been one of the largest chemical building material manufacturer in the world with an annual production capacity of 0.7 million ton. Chinese national ministry of construction also grants Shide with the title of "Chinese Chemical Building Material Industrialization Base".

With the importation of advanced equipments from abroad, the research and development of unique formula and processing craft, and the enchanting of QC system, the quality of Shide UPVC products has been in peer with top competitors globally. Nowadays, Shide Group owns the most completed CBM research institute in China, "Dalian Shide Chemical Building Materials Research Institute", and the only "Post-doctor R&D Workstation". All these advantages guarantee Shide's leading position in technique, quality and development of new product.

During the expansion in decades, Shide Group has scored the firsts in earning the certification of ISO 9001,9002,14000 standard systems, and won the approval of German DIN certificate, Japanese JIS certificate. European Federation of Plastic Window Manufacturers (EPW) and American Architectural Manufacturers Association (AAMA) has both conferred membership to Shide as well. With relentless efforts for so many years, Shide UPVC profile has been widely approved and gained the honor of "Famous Brand" from Chinese Trademark Bureau of General Administration for Industry and Commerce in 2008.

On August 14th in 2013, the signing ceremony of strategy cooperation between Shide Group and German BASF was held in Shide head office. That represents the realization of the comprehensive cooperation between the two, which will definitely accelerate the deepened development of energy-saving construction in China with the presentation of new products and technique. Huge impact will be laid on international building energy efficiency.

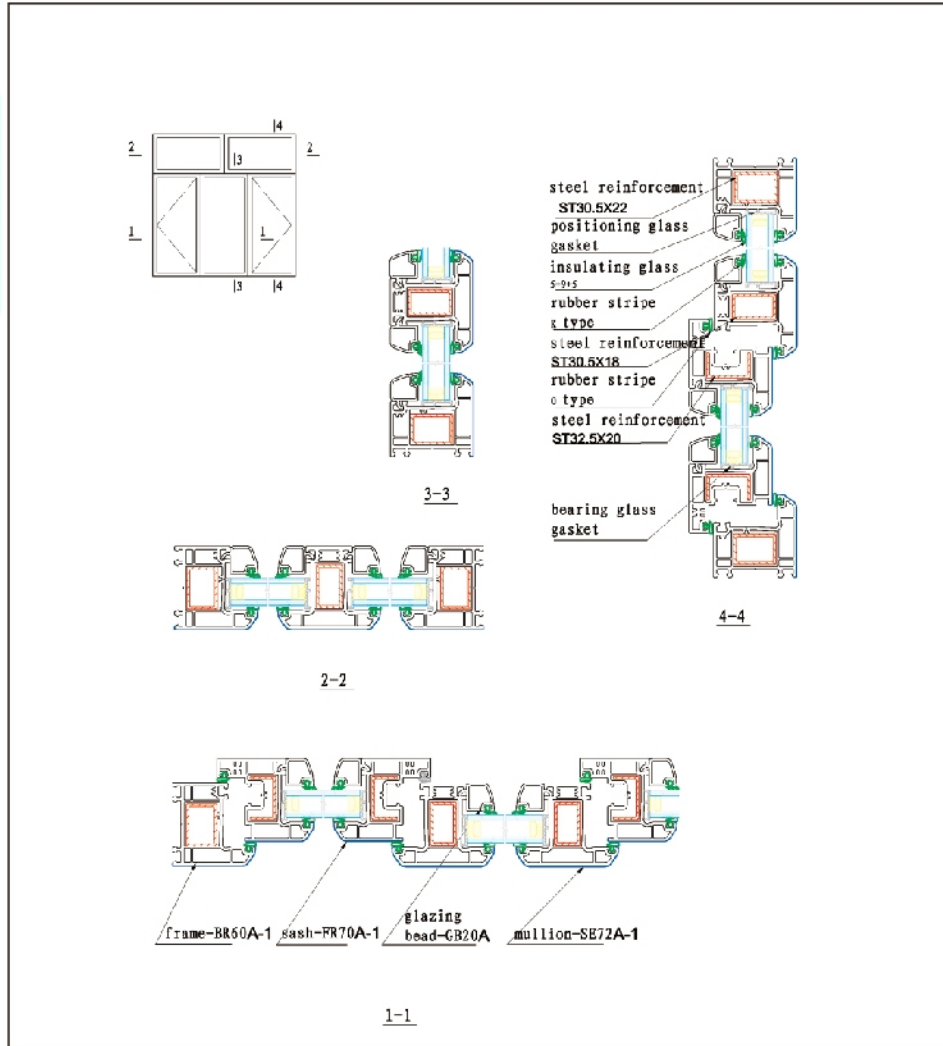
Currently, a powerful network of 140 Shide marketing branches is spreaded across China. The boost of marketing capacity and perfection of after-sale service system are clear evidence for the competitiveness of Shide UPVC profile. Export trading is also highlighted in Shide's territory,

South-east Asia, India and Russia markets have shown amazing volumes, and the pulsing potentials of Mongolia, UAE, and South America are also carefully noted. The sales network of Shide is supplying the world with her products of both quality and economy.

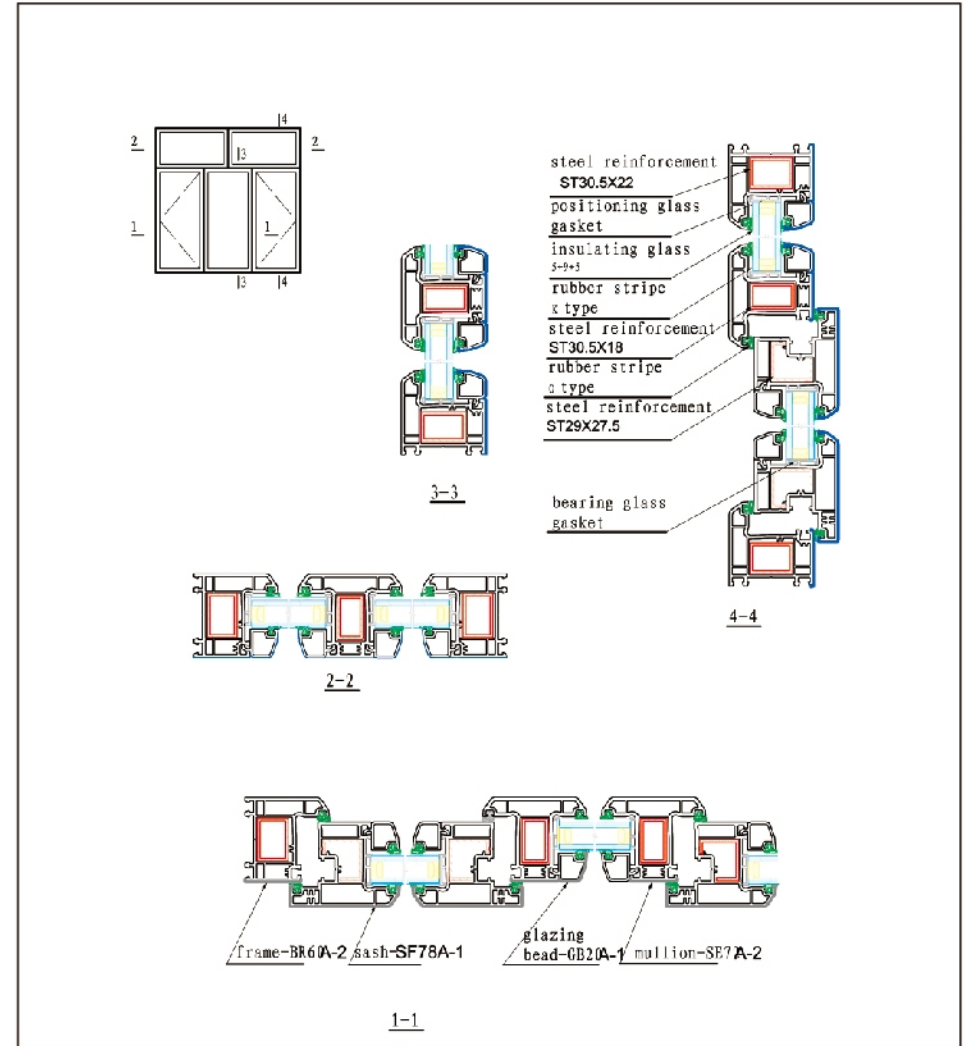
"Retribute the Nation with Industry, Flourish the Group with Morality" is our core developing idea. " Staff in Shide, Emotion for China, Vision at Globe" is what Shiders persist in. "Improve the Living Environment, Upgrade the life standard" and "Advance with Society, Grow with Client, Enhance with Personnel" have shown Shide's belief. Shide Group will endeavor to contribute even more with perfected products and service.



Opening window profile series 60A



Opening window profile series 60A



CONTENTS

	Certificat	
	Introduction	01
Classic series	Opening window profile series 60	07
	Sliding window profile series 80	17
	Sliding window profile series 88	24
	Opening door profile series 106	30
	Sliding door profile series 62/95/112	36
Colourful series	Opening window profile series 60A	43
	Sliding window profile series 88A	50
	Opening window profile multi-scaling series 65A	57
European series	Opening window profile series 66	67
	Opening window profile series 70	71
American series	Hand-roll casement window	78
	American-style hung window profile	80
	Excample Connection drawings for shide profile	84



CERTIFICATE

The TÜV CERT Certification Body
of TÜV Anlagentechnik GmbH

TÜV Rheinland/Berlin-Brandenburg Group of Companies

certifies in accordance with TÜV CERT procedures that:

Dalian Shide Group Co., Ltd.

Dalian Shide Plastic Industry Co., Ltd.

Dalian Shide Plastic Building Materials Co., Ltd.

Shide Industry Zone, Dalianwan Town, Ganjingzi District,
Liaoning Province, Dalian 116113, P. R. China

has established and applies a quality system for

**Design, Manufacturing, Sales and Service of Rigid Polyvinyl
Chloride (PVC) Plastic (Plastic Profiles, Panels and Pipes)**

An audit was performed, Report No. **019501**

Proof has been furnished that the requirements according to

DIN EN ISO 9001:2000

are fulfilled.

The certificate is valid until **March 2005**

Certificate Registration No. **01 100 019501**



TÜV Rheinland/
Berlin-Brandenburg



J. Ulrich

TÜV CERT Certification Body of
TÜV Anlagentechnik GmbH



Membership Certificate

Dalian Shide Group Co., Ltd.

is a Category 1 Member in good standing of the

American Architectural Manufacturers Association

2012

*Federation of European
Plastic Window Manufacturers*



Membership

The company

**DALIAN SHIDE GROUP., LTD
Shide Building No. 38 Gaoerji Road
Dalian, PR China**

is member of EPW

It is the aim of EPW:
Support competitive European plastic window and
door manufacturers in the European market.
Promote European integration of the window and
door industry.

Dalian, 22 November 2001

Handwritten signature of Erich Losch in black ink.

Erich Losch
- President -

Handwritten signature of K. H. Herbert in black ink.

K. H. Herbert
- Secretary General -

**СИСТЕМА СЕРТИФИКАЦИИ ГОСТ Р
ГОССТАНДАРТ РОССИИ**

СЕРТИФИКАТ СООТВЕТСТВИЯ

№ РОСС СN.СГ43.Н01602

Срок действия с 21.04.2008 по 21.04.2011
0902684

ОРГАН ПО СЕРТИФИКАЦИИ
РОСС RU.0001.11СГ43 от 28.11.05
Орган по сертификации «Новосибсертификация»
Россия, 630003, г. Новосибирск, ул. Владимировская, 10
Тел./факс (383) 220-62-80

ПРОДУКЦИЯ
Профиль поливинилхлоридный для блоков оконных и балконных
дверных системы «SHIDE»
впускаемый по ГОСТ 30673-99
Серийный выпуск

код ОК 905 (ОКП):
57 7200

СООТВЕТСТВУЕТ ТРЕБОВАНИЯМ НОРМАТИВНЫХ ДОКУМЕНТОВ
ГОСТ 30673-99

код ТН ВЭД:
3916 20 100 0

ИЗГОТОВИТЕЛЬ
Фирма «DALIAN SHIDE PLASTIC INDUSTRY Co., Ltd.», Китай
Shide Industry Zone, Dalianwan Town, Ganjingzi District,
Liaoning Province, Dalian 116113, P.R. China
СЕРТИФИКАТ ВЫДАН
Фирма «DALIAN SHIDE PLASTIC INDUSTRY Co., Ltd.», Китай
Shide Industry Zone, Dalianwan Town, Ganjingzi District,
Liaoning Province, Dalian 116113, P.R. China, tel./fax (86) 41187602971. (423-2) 27-10-72

НА ОСНОВАНИИ
Протокола испытаний № 4956 от 21.04.08 ИПЦ МИВ «СибНИИстрой», г. Новосибирск,
РОСС RU.0001.21СЛ61 от 01.11.05,
Санитарно-эпидемиологического заключения № 25.ПЦ.01229.П.000309.01.08 от 28.01.08 по
28.01.13 (профиль) ФСН в СЗПНБЧ по Приморскому краю.

ДОПОЛНИТЕЛЬНАЯ ИНФОРМАЦИЯ
Сертификат пожарной безопасности № ССПБ.СН.ОП059.Н.00120 от 12.10.07 (профиль).
Сертификация по схеме З.

Руководитель органа В.И. Белан
Эксперт В.В. Пуртов

Сертификат не применяется при обязательной сертификации

**СИСТЕМА СЕРТИФИКАЦИИ В ОБЛАСТИ ПОЖАРНОЙ БЕЗОПАСНОСТИ
СЕРТИФИКАТ ПОЖАРНОЙ БЕЗОПАСНОСТИ**

№ ССПБ.СН.ОП059.Н.00120

Зарегистрирован в Государственном
реестре Системы сертификации в области
пожарной безопасности **12.10.2007** Действителен до **12.10.2010**

Настоящий сертификат удостоверяет, что идентифицированный надлежащим
образом образец

**ПРОФИЛИ ПОЛИВИНИЛХЛОРИДНЫЕ ДЛЯ
ОКОННЫХ И ДВЕРНЫХ БЛОКОВ**

ПО ГОСТ 30673-99

код ОКП: 3916201000
код ТН ВЭД: продукция

соответствуют требованиям пожарной безопасности, установленным в НПБ 244-97

- группа горючести – ГЗ (ГЗ /нормальногорючие/ по СНиП 21-01-97*,
испытания по ГОСТ 30244-94);
- группа воспламеняемости – В2 (В2 /умеренновоспламеняемые/ по
СНиП 21-01-97*, испытания по ГОСТ 30402-96);
- группа дымообразующей способности – с умеренной
дымообразующей способностью (Д2) (Д2 /с умеренной
дымообразующей способностью/ по СНиП 21-01-97*, испытания по
ГОСТ 12.1.044-89* п.4.18);

ИД



при добровольной сертификации

Сертификат распространяется на **серийный выпуск**
серийный выпуск, партии, единичное изделие

Сертификат выдан
DALIAN SHIDE PLASTIC INDUSTRY Co., Ltd.
Shide Industry Zone, Dalianwan Town, Ganjingzi District, Liaoning Province, Dalian
116113, P.R. China (Китай), тел.: (86) 41187602971
реквизиты предприятия, организации, адрес

Изготовитель
"DALIAN SHIDE PLASTIC INDUSTRY Co., Ltd" Shide Industry Zone, Dalianwan
Town, Ganjingzi District, Liaoning Province, Dalian 116113, P.R. China (Китай),
тел.: (86) 41187602971
реквизиты предприятия, организации, адрес

№ 0216002

**ФЕДЕРАЛЬНАЯ СЛУЖБА ПО НАДЗОРУ
В СФЕРЕ ЗАЩИТЫ ПРАВ ПОТРЕБИТЕЛЕЙ И БЛАГОПОЛУЧИЯ ЧЕЛОВЕКА**

Управление Федеральной службы по надзору в сфере защиты прав потребителей и благополучия человека по Приморскому краю

(Специализированное санитарно-эпидемиологическое заключение)

САНИТАРНО-ЭПИДЕМИОЛОГИЧЕСКОЕ ЗАКЛЮЧЕНИЕ

№ 25.ПЦ.01.229.П.000309.01.08 от 28.01.2008 г.

Настоящим санитарно-эпидемиологическим заключением удостоверяется, что продукция:
Строительно-отделочные материалы: профили поливинилхлоридные для изготовления дверных блоков, подоконников, оконных и балконных конструкций.

изготовленная в соответствии:
Сертификат о соответствии системы качества компании-изготовителя стандарту DIN EN ISO 9001:2000 выдан Органом сертификации TUV CERT технической инспекции TUV Industrie Service GmbH

СООТВЕТСТВУЕТ (НЕ СООТВЕТСТВУЕТ) санитарным правилам (необязательно указать полное наименование государственных санитарно-эпидемиологических правил и нормативов):
СанПиН 2.1.2.729-98 "Полимерные и полимерсодержащие строительные материалы, изделия и конструкции. Гигиенические требования безопасности"; ГН 2.1.6.1338-03 "Предельно-допустимые концентрации (ПДК) загрязняющих веществ в атмосферном воздухе населенных мест"

Организация-изготовитель:
"DALIAN SHIDE PLASTIC BUILDING MATERIALS CO., LTD" (Далынь Шидэ Компания по пластиковым строительным материалам), Shide Industry Zone, Dalianwan Town, Ganjingzi District, Liaoning Province, Dalian 116113, P.R., (Китайская Народная Республика)

Получатель санитарно-эпидемиологического заключения:
ООО "ПАРК-ПЛАСТ", Приморский край, г. Находка, ул. Ленинская, 10А (Российская Федерация)

Основанием для признания продукции, соответствующей (не соответствующей) санитарным правилам, являются (перечислить рассмотренные протоколы исследований, наименование учреждений, проводившего исследования, другие рассмотренные документы):
Протоколы лабораторных испытаний №2334 от 15.10.2007г. ИЛЦ ФГУЗ "Центр гигиены и эпидемиологии в Приморском крае", г. Владивосток, ул. Уткинская, 36, аттестат аккредитации № ГСЭН RU.ЦОА.100. Экспертное заключение №0227/П/01 от 25.01.2008г. ФГУЗ "Центр гигиены и эпидемиологии в Приморском крае", г. Владивосток, ул. Уткинская, 36. Санитарно-эпидемиологическое заключение № 25.ПЦ.01.229.П.006056.10.07г. от 30.10.2007г. выдан Управлением Роспотребнадзора по Приморскому краю.

№ 1525737

ГИГИЕНИЧЕСКАЯ ХАРАКТЕРИСТИКА ПРОДУКЦИИ

Вещества, показатели (факторы)	Гигиенический норматив (СанПиН, МДУ, ПДК и др.)
Уровень запаха	не более 2 баллов
Индекс токсичности	не более 20%
капалы	не более 0,2 мг/м ³ куб.
этилацетат	не более 0,1 мг/м ³ куб.
ацетон	не более 0,35 мг/м ³ куб.
бензол	не более 0,1 мг/м ³ куб.
толуол	не более 0,6 мг/м ³ куб.
метилстирол	не более 0,1 мг/м ³ куб.
бутанол	не более 0,1 мг/м ³ куб.
циклопексанон	не более 0,04 мг/м ³ куб.
винил хлоридный	не более 0,01 мг/м ³ куб.
дибутилфталат	не более 0,1 мг/м ³ куб.
диоктилфталат	не более 0,02 мг/м ³ куб.
фенол	не более 0,003 мг/м ³ куб.
уровень напряженности электростатического поля на поверхности	не более 15 кВ/м

Область применения:
строительно-отделочный материал для изготовления дверных блоков, оконных и балконных конструкций, подоконников

Необходимые условия использования, хранения, транспортировки и меры безопасности:
Использовать по назначению.

Информация, наносимая на этикетку:
Наименование продукции, страна и фирма-изготовитель, назначение

Заключение действительно до 28.01.2013 г.

Главный государственный санитарный врач
(заместитель главного государственного санитарного врача)


 Маслов Д.В.
Подпись

Бланк N 1525737

Introduction



1. Opening window profile series 60

BR60	FR73N	SE76N	SF78C	JT61	PZ76N
GB31	BY60	BK60	MF60N	GB19	GB34

- Main profiles: three-chamber structure, separate drainage chamber;
- Model design: Inward or outward opening, inward opening with tilt, fixed window, fixed or adjustable jalousie window, middle suspension window etc;
- This system can be connected through the couplings of 90°, 135°, 180° ordinary or enhanced and arbitrary angle;
- The distance for the glass is 30mm, 26mm, 18mm, 14mm, and 11mm. single or double insulating glass can be installed.
- Opening mosquito sash can be installed;

2. Sliding window profile series 80

HF80	SF54	IL31	SF56	IL31N	GB8
GB21	BR80H	ST80	SP60Y	SE80L	HF80C

- Main profiles: three-chamber structure, separate drainage chamber
- This system can be connected through the couplings of 90°, 135°, 180° ordinary or enhanced and arbitrary angle;
- The distance for the glass is 24mm, 11mm. Single or double insulating glass can be installed.
- Sliding mosquito sash can be installed

3. Sliding window profile series 88

HF88S	SF57	IL32	GB10	GB25	BR88H
ST88H	SF66	IL36	SE88		

- Main profile : four-chamber structure, wall thickness of 2.2mm, separate drainage chamber for frame and sash.
- Top grade ,mid-grade and economic grade can be achieved to satisfy the needs of different customers
- This system can be connected through the couplings of 90°, 135°, 180° ordinary or enhanced and arbitrary angle;
- Sliding sash with different strength can be chosen;
- The distance for the glass is 26mm, 22mm, 11mm. Single or double insulating glass can be installed.
- Sliding mosquito sash can be installed.

Introduction



4. Opening door profile series 106

FR106	SF106	MK60N	PP100N	ST76Y
-------	-------	-------	--------	-------

- Main profile : three-chamber structure, wall thickness of 2.8mm, separate drainage chamber;
- This system can be installed with aluminium threshold owning the advantages of high strength, anti-trampled, longer service life.
- Model design: inward opening, outward opening, inward opening with tilt doors.
- This system can be connected through the couplings of 90°, 135°, 180° ordinary or enhanced and arbitrary angle;
- The distance for the glass is 34mm, 30mm, 26mm, 18mm, 14mm, 11mm, Single or double insulating glass or door panel can be installed;
- Opening mosquito can be installed.

5. Sliding window and door profile series 62/ 95/ 112

HF62	HF95N	SF66	IL36	GM42N	GB10
GB25	SF92N	IL50	HF112	YK62	ST76

- Main profiles: three-chamber structure (HF62), four-chamber structure (HF95N), five-chamber structure (HF112), separate drainage chamber for frame and sash.
- HF112 with the feature of three tracks can be used to produce big size windows with three separate sliding sashes.
- This system can be connected through the couplings of 90°, 135°, 180° ordinary or enhanced and arbitrary angle;
- The distance for the glass is 26mm, 11mm. Single or double insulating glass or door panel can be installed;
- Sliding mosquito sash can be installed on HF95N.

Introduction



6. Opening window profile series 60A

BR60A	BR48A	FR70A	SE72A	SF78A	PZ72A
GB20A	GB35A	SE64A	YG60A	PK60A	

- Main profiles: three-chamber structure, separate drainage chamber;
- Model design: Inward or outward opening, inward opening with tilt, fixed window
- This system can be connected through the couplings of 90°, 135°, 180° ordinary or enhanced and arbitrary angle;
- The distance for the glass is 26mm, 20mm, 5mm. Single or double insulating glass or door panel can be installed;
- This system can also be used to produce color co-extrusion profiles and multiple colors can be chosen .

7. Sliding window profile series 88A

HF88A	SE88A	SF57A	BR88A	SP66A	SF66A
IL30A	IL35A	ST88A	GB10A	GB25A	

- Main profiles: three-chamber structure, separate drainage chamber;
- Sliding window system and combined sliding window system can be realized;
- This system can be connected through the couplings of 90°, 135°, 180° ordinary or enhanced and arbitrary angle;
- The distance for the glass is 26mm, 20mm, 5mm. Single or double insulating glass or door panel can be installed;
- Sliding frame is designed as full edge size easy to install in net window portals and saving sealing silica gel;

8. Opening window profile series 65A

BR65A	SE65A	FR65A	SF65	FL65A	FL65B
GB7	GB7N	GB19	GB19N	GB15N	YT15

- Frame width: 65mm;
- Main profiles : five-chamber structure ;
- Triple glass can be installed; biggest distance for glass is 38mm;
- The converting design between triple and quadruple sealings, through the removable structure of sealing profiles.
- Consumption of profiles per window has competitive advantage.
- This profile suits to use with the common coupling profiles, beside the new designed profile.

Introduction



9. Opening window profile series 66

BR66	SE76N	FR62	GB11	GB15
------	-------	------	------	------

- Main profile: Four-chamber structure, adopting the streamline design to make the appearance pretty and elegant;
- Adopting the design of waterproof to improve drainage property;
- Model design: inward opening, inward opening with tilt fixed window etc;
- This system can be connected through the couplings of 90°, 135°, 180° ordinary or enhanced and arbitrary angle;
- The distance for the glass is 34mm、30mm、26mm、18mm、14mm、11mm. Single or double insulating glass can be installed.
- Opening mosquito sash can be installed.

10. Opening window profile series 70

BR72	FR72	SE72	GB15	GB22
------	------	------	------	------

- Main profile : five-chamber structure, wall thickness of 3.0mm, separate drainage chamber;
- This system is top grade series of Shide profiles.
- Model design: Inward opening, inward opening with tilt, fixed window etc;
- This system can be connected through the couplings of 90°, 180° ordinary or enhanced;
- Triple or double insulated glass can be installed with glass distance of 38mm、31mm
- Opening mosquito sash can be installed.

11. American series

CS001	CS002	CS003	CS004	CS005	SS016
SS001	SS003	SS004	SS005	SS006	SS007

- The thickness of the main profiles is 1.8-2.0mm; the thickness of the accessory profiles is 1.5mm.
- The profile is the multiple-cavity, to ensure the strength of the finished windows.
- The formula of the profiles is the lead free; belong to is Calcium and Zinc group.
- The fixing board is needed for new buildings but needless for replacement windows.
- Single or double insulating glass can be installed.
- Opening and sliding mosquito sash can be installed .

Section I

Classic series

- Opening window profile series 60
- Sliding window profile series 80
- Sliding window profile series 88
- Opening door profile series 106
- Sliding door profile series 62/95/112



Wanke Museum At EXPO 2010 Shanghai



Zero Carbon Museum at EXPO 2010 Shanghai China



Yuanda Museum at EXPO 2010 Shanghai China

Opening window profile series 60

- ◆ Main profiles: three-chamber structure, separate drainage chamber;
- ◆ Model design: Inward or outward opening, inward opening with tilt, fixed window, fixed or adjustable jalousie window, middle suspension window etc;
- ◆ This system can be connected through the couplings of 90° , 135° , 180° ordinary or enhanced and arbitrary angle;
- ◆ The distance for the glass is 30mm, 26mm, 18mm, 14mm, and 11mm. single or double insulating glass can be installed.
- ◆ Opening mosquito sash can be installed;

Opening window profile series 60

Frame BR60 1.025kg/m			4 PCS/PKG
Outward sash SF78C 1.160kg/m			4 PCS/PKG
Pseudo mullion JT61 0.920kg/m			4 PCS/PKG
Inward sash FR73N 1.160kg/m			6 PCS/PKG
Screen sash MF60N 0.540kg/m			8 PCS/PKG


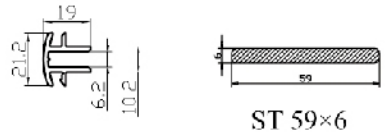
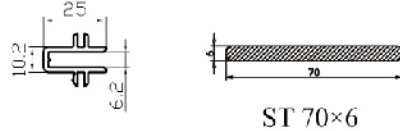

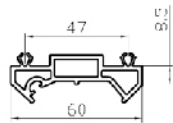
Opening window profile series 60

Mullion SE76N 1.115kg/m			4 PCS/PKG
Z Mullion PZ76N 1.080kg/m			6 PCS/PKG
Single glazing bead GB34 GB31 0.290kg/m 0.267kg/m			20 PCS/PKG 20 PCS/PKG
Jalousie window holder BK60 0.260 kg/m			16 PCS/PKG 16 PCS/PKG
Jalousie window louver BY60 0.290 kg/m			
Double glazing bead GB19 0.215kg/m			20 PCS/PKG 30 PCS/PKG
Decoration bar ZS30 0.145kg/m			

Opening window profile series 60

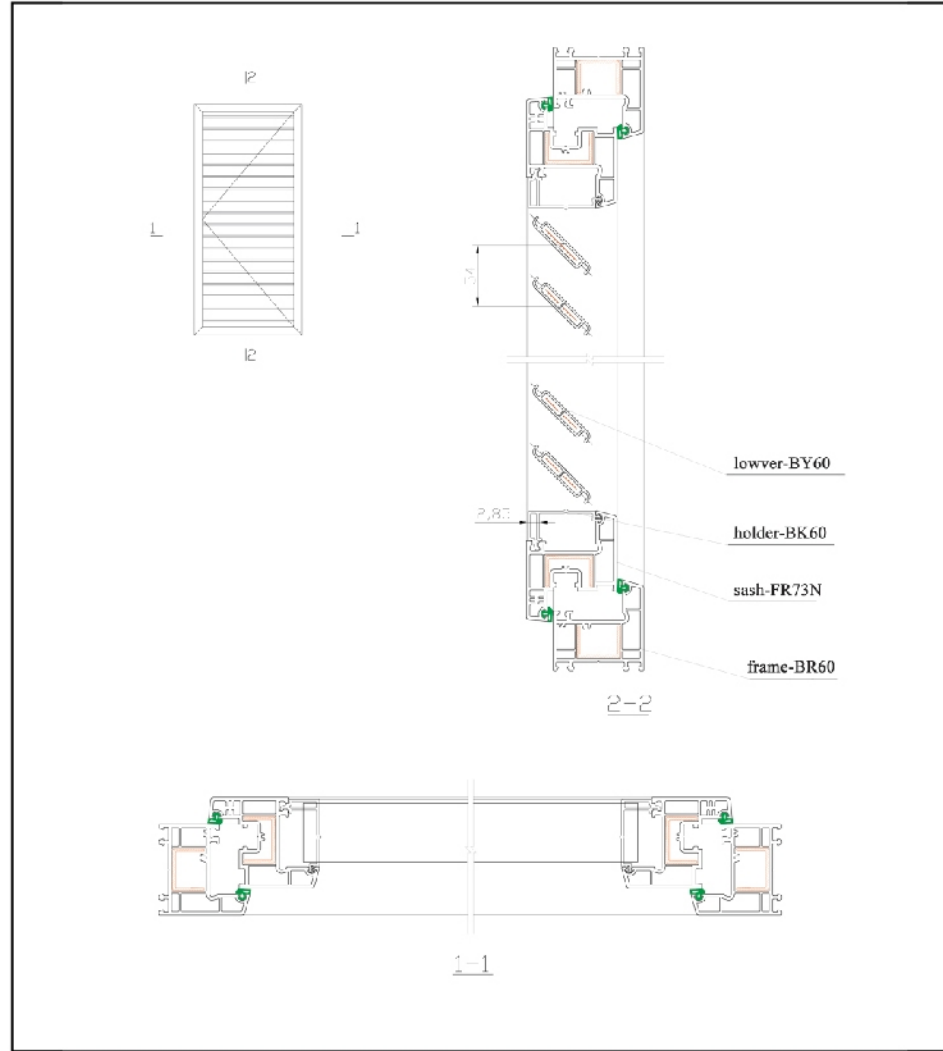
180° Coupling CP40 1.135 kg/m			4 PCS/PKG
90° Coupling CP90C 0.965 kg/m			6 PCS/PKG
135° Coupling CP135C 0.625 kg/m			8 PCS/PKG
180° Coupling CP25C 0.645 kg/m			8 PCS/PKG
Glass gasket FL36 0.100 kg/m			40 PCS/PKG

Opening window profile series 60

Coupling Frame auxiliary CP2 KF40 0.11 kg/m 0.394 kg/m		40 PCS/PKG 8 PCS/PKG
Coupling CA6 0.185 kg/m		20 PCS/PKG
Coupling CP6 0.205 kg/m		20 PCS/PKG
60 Universal round tube YG60 0.54 kg/m		6 PCS/PKG
60 Universal static coupling PK60N 0.5 kg/m		8 PCS/PKG

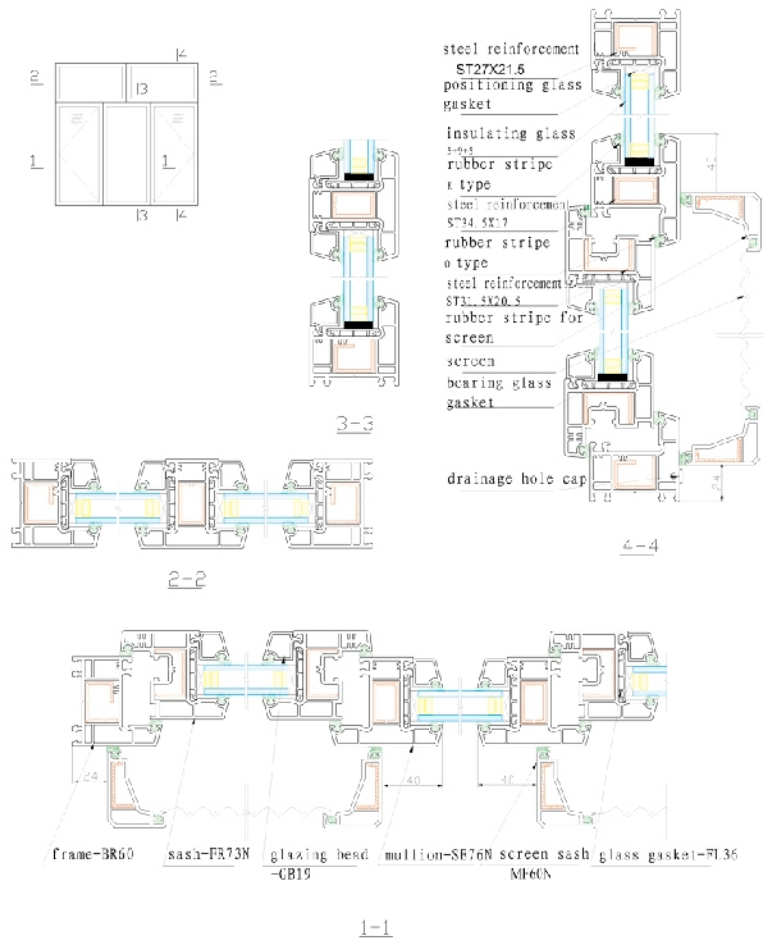
Opening window profile series 60

Jalousie window



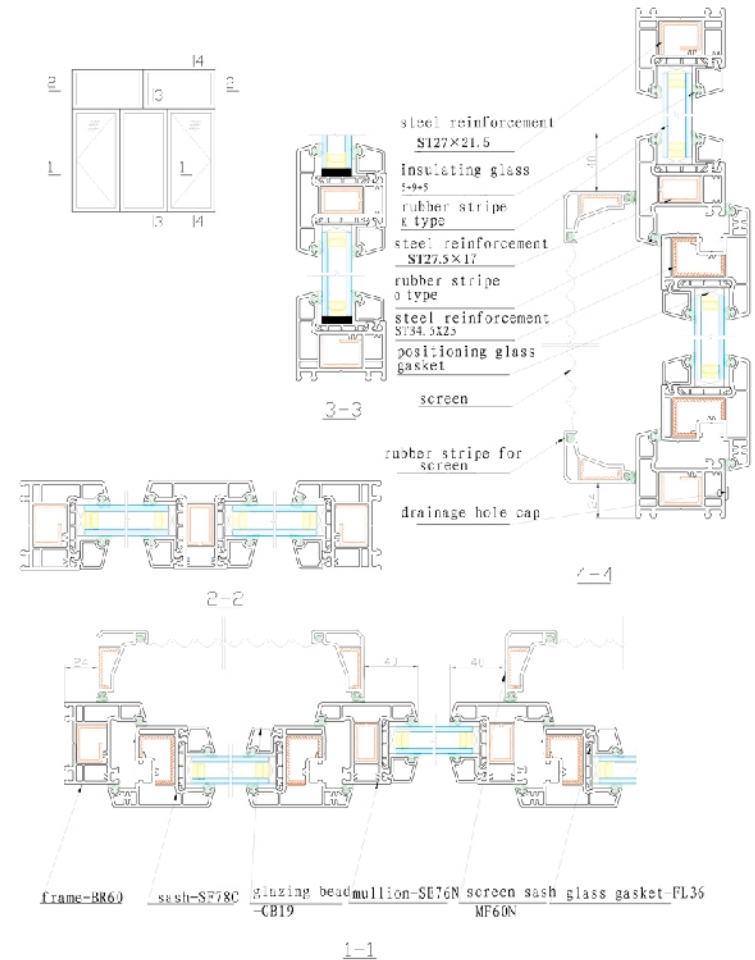
Opening window profile series 60

Inward opening window



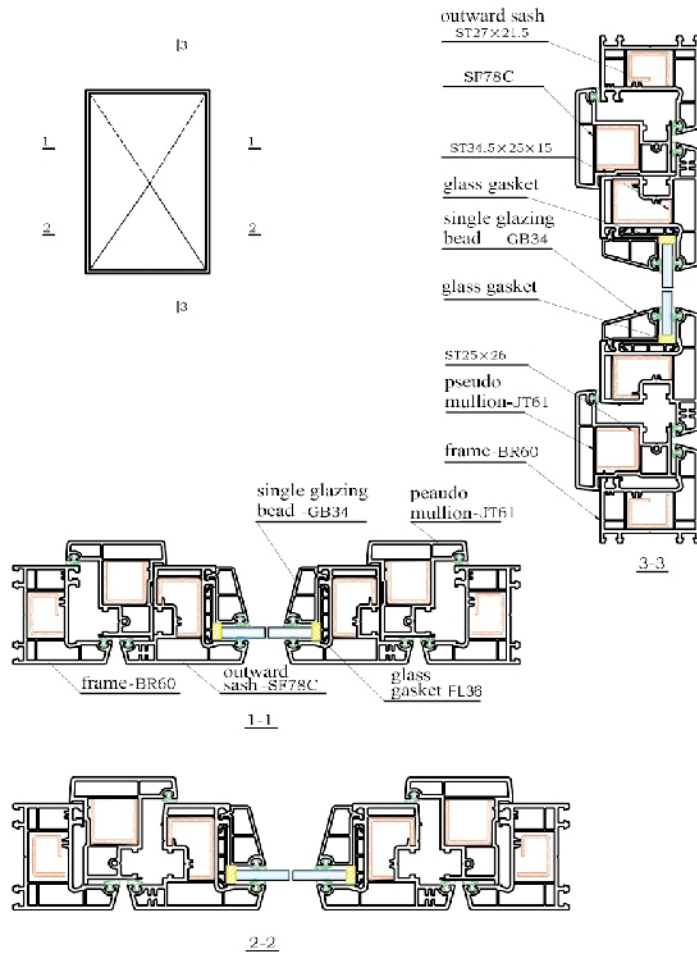
Opening window profile series 60

Outward opening window



Opening window profile series 60

Middle suspension window



Japan Hokkaido Sapporo train station



Wenzhou scenery garden



Southwest into a giant Longwan



Beijing Jinyuli Wan

Sliding window profile series 80

- ◆ Main profiles: three-chamber structure, separate drainage chamber
- ◆ This system can be connected through the couplings of 90°, 135°, 180° ordinary or enhanced and arbitrary angle;
- ◆ The distance for the glass is 24mm, 11mm. Single or double insulating glass can be installed.
- ◆ The system can also be used to produce color co-extrusion profile for some items including HF80D、BR80D、ST80D、SF56、IL31N and multiple colors can be chosen;
- ◆ Sliding mosquito sash can be installed.

Sliding window profile series 80

Frame (aluminium rail) HF80 1.200kg/m			4 PCS/PKG
Transom frame mullion ST80 1.025kg/m			4 PCS/PKG
Frame mullion SE80L 1.440kg/m			4 PCS/PKG
Transom frame BR80H 0.891kg/m			4 PCS/PKG
Frame HF55 0.940kg/m			4 PCS/PKG

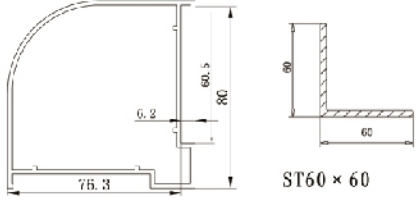
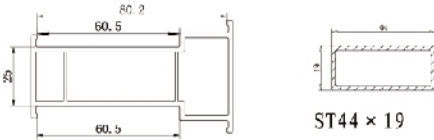
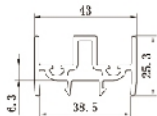
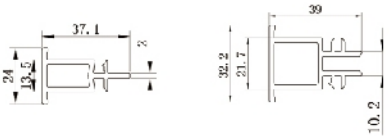
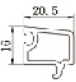

Sliding window profile series 80

<p>Frame (aluminium rail) HF80C 1.200kg/m</p>			<p>4 PCS/PKG</p>
<p>Transom frame BR30C 0.910kg/m</p>			<p>4 PCS/PKG</p>
<p>Frame (aluminium rail) HF80D 1.224kg/m</p>			<p>4 PCS/PKG</p>
<p>Transom frame BR80D 0.943 kg/m</p>			<p>4 PCS/PKG</p>
<p>Transom frame mullion S180D 1.096kg/m</p>			<p>1 PCS/PKG</p>

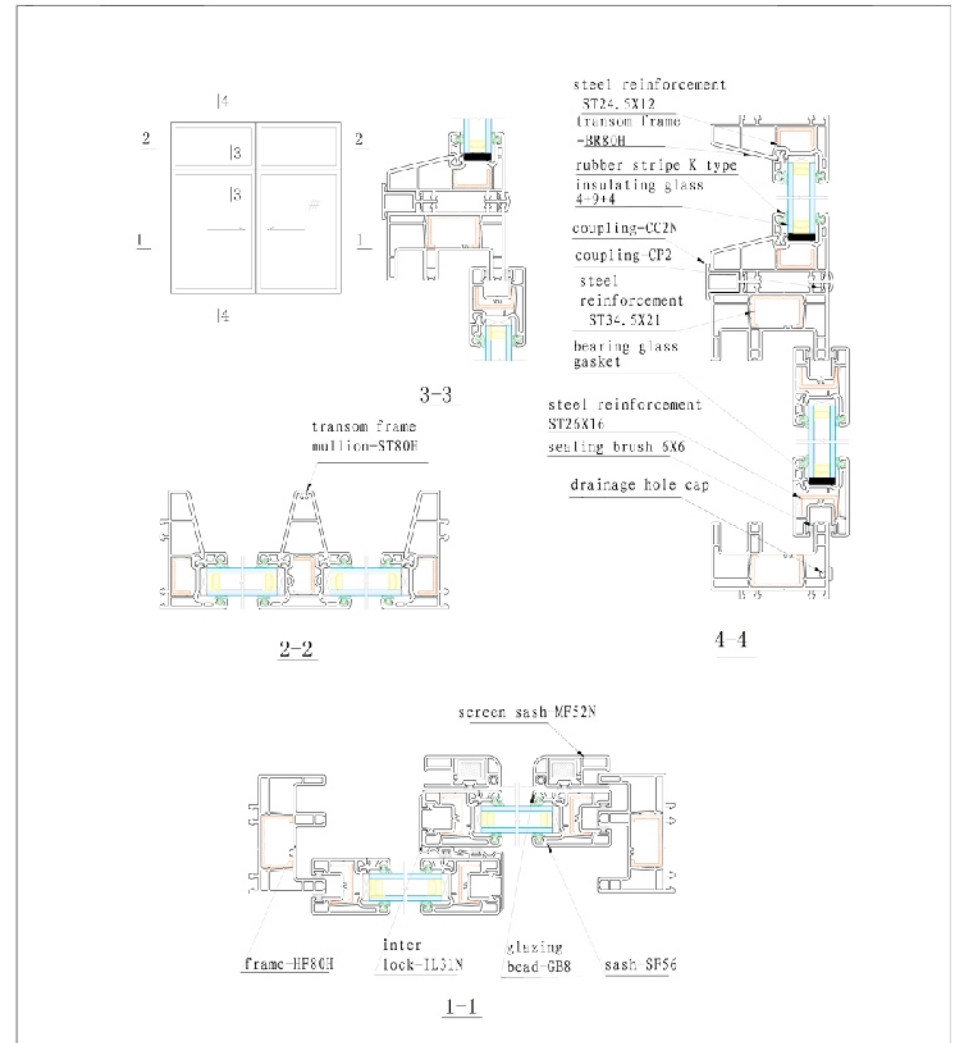
Sliding window profile series 80

<p>Sash 1 SF56 0.786kg/m</p>			<p>8 PCS/PKG</p>
<p>Sash 2 SF54 0.730kg/m</p>			<p>8 PCS/PKG</p>
<p>Inter lock1 1L31N 0.203kg/m</p>			<p>3.0 PCS/PKG 3.0 PCS/PKG</p>
<p>Screen sash MF52N 0.510kg/m</p>			<p>9 PCS/PKG</p>
<p>135° Coupling CC135C 0.760kg/m</p>			<p>8 PCS/PKG</p>

Sliding window profile series 80

90° Coupling CC90C 0.970kg/m	 <p>ST60 × 60</p>	4 PCS/PKG
180° Coupling CC25C 0.840kg/m	 <p>ST44 × 19</p>	6 PCS/PKG
Inter seal GM38N 0.420kg/m		12 PCS/PKG
180° Coupling CC2N CC6 0.270kg/m 0.410kg/m		20 PCS/PKG 12 PCS/PKG
Single glazing bead GB21 0.210kg/m		20 PCS/PKG
Double glazing bead GB8 0.135kg/m		30 PCS/PKG

Sliding window profile series 80





Younger Century Garden



Xining International Village



Haikou Haiyihaoyuan

Sliding window profile series 88

- ◆ Main profile : four-chamber structure, wall thickness of 2.2mm, separate drainage chamber for frame and sash.
- ◆ Top grade ,mid-grade and economic grade can be achieved to satisfy the needs of different customers.
- ◆ This system can be connected through the couplings of 90° , 135° , 180° ordinary or enhanced and arbitrary angle;
- ◆ Sliding sash with different strength can be chosen;
- ◆ The distance for the glass is 26mm, 22mm, 11mm. Single or double insulating glass can be installed.
- ◆ Sliding mosquito sash can be installed.



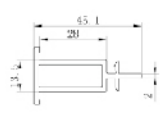
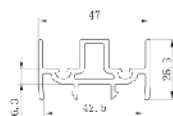
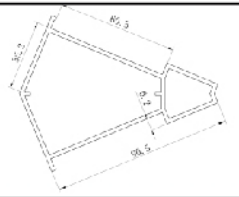
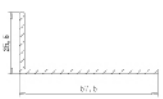
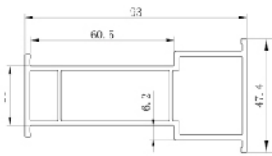
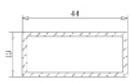
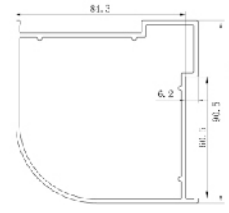
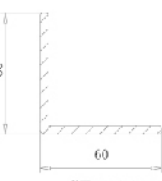
Sliding window profile series 88

<p>Frame</p> <p>HF88S</p> <p>1.360kg/m</p>	<p>ST 28 × 16.5 28 × 14.5</p>	<p>4 PCS/PKG</p>
<p>Mullion</p> <p>SE88</p> <p>1.730kg/m</p>	<p>ST 29 × 21 29 × 18.5</p>	<p>2 PCS/PKG</p>
<p>Transom frame</p> <p>BR88H</p> <p>0.939kg/m</p>	<p>ST24.5 × 12</p>	<p>4 PCS/PKG</p>
<p>Transom frame mullion</p> <p>ST88H</p> <p>1.115kg/m</p>	<p>ST24.5 × 13.5</p>	<p>4 PCS/PKG</p>
<p>Sash 1</p> <p>SF57</p> <p>0.790kg/m</p>	<p>ST29 × 13</p>	<p>6 PCS/PKG</p>

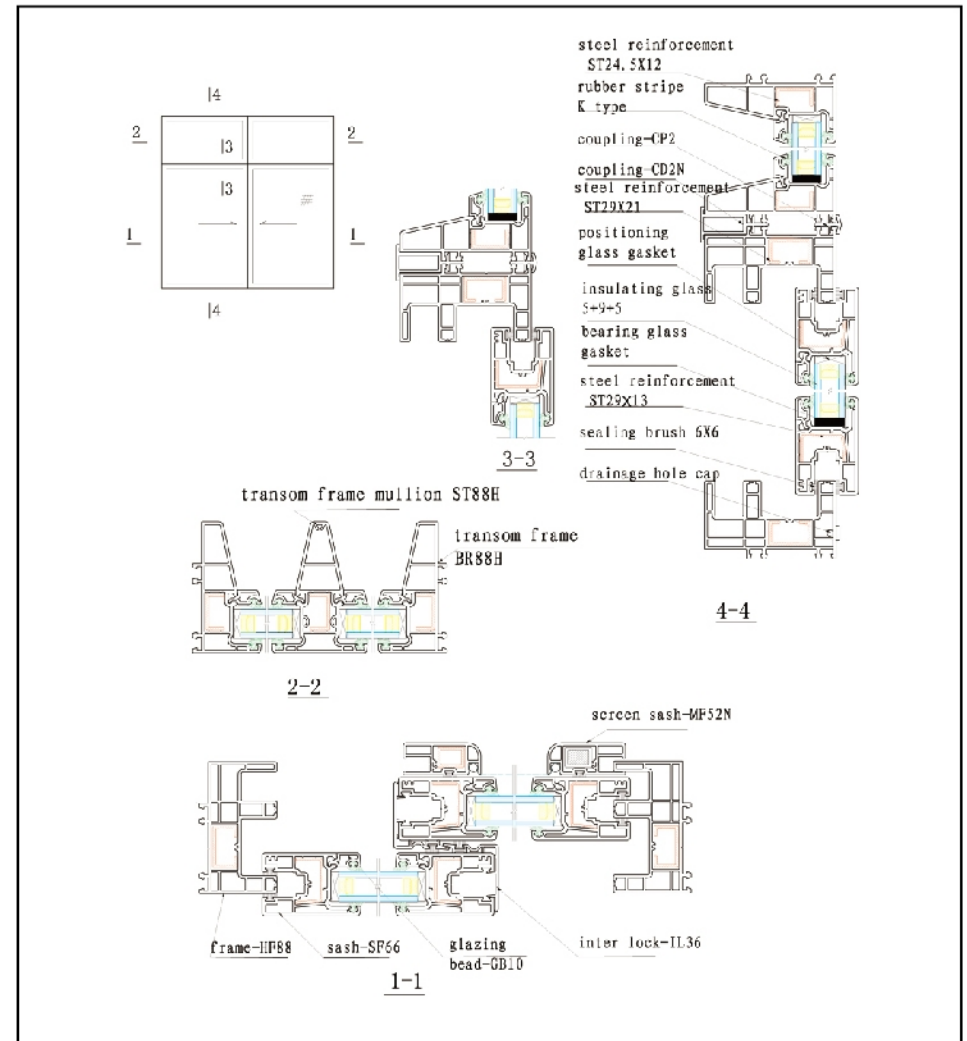
Sliding window profile series 88

<p>Inter lock</p> <p>IL32</p> <p>0.225kg/m</p>		<p>30 PCS/PKG</p>
<p>Sash 2</p> <p>SF66</p> <p>0.990kg/m</p>	<p>ST29.5 × 17.5</p>	<p>6 PCS/PKG</p>
<p>Inter lock</p> <p>IL36</p> <p>0.240kg/m</p>		<p>20 PCS/PKG</p>
<p>Screen sash</p> <p>MF52N</p> <p>0.510kg/m</p>	<p>ST 15.5 × 18 13.5 × 18</p>	<p>9 PCS/PKG</p>
<p>Coupling</p> <p>CD6</p> <p>0.430kg/m</p>	<p>ST59 × 6</p>	<p>12 PCS/PKG</p>

Sliding window profile series 88

Double glazing bead GB10 0.150kg/m	Single glazing bead GB25 0.225 kg/m	 	30 PCS/PKG 20 PCS/PKG
Coupling CD2N 0.330kg/m	Inter seal GM42N 0.470kg/m	 	16 PCS/PKG 12 PCS/PKG
135° Coupling CD135N 0.880kg/m		  <p>ST 57.5 × 25.5</p>	4 PCS/PKG
180° Coupling CD25C 0.860kg/m		  <p>ST44 × 19</p>	6 PCS/PKG
90° Coupling CD90C 1.050kg/m		  <p>ST60 × 60</p>	4 PCS/PKG

Sliding window profile series 88





Lanzhou New Centruy Garden



Lanzhou brocade court



Xian Chanba City square

Opening door profile series 106

- ◆ Main profile : three-chamber structure, wall thickness of 2.8mm, separate drainage chamber;
- ◆ This system can be installed with aluminium threshold owning the advantages of high strength, anti-trampled, longer service life.
- ◆ Model design: inward opening, outward opening, inward opening with tilt doors.
- ◆ This system can be connected through the couplings of 90° , 135° , 180° ordinary or enhanced and arbitrary angle;
- ◆ The distance for the glass is 34mm, 30mm, 26mm, 18mm, 14mm, 11mm, Single or double insulating glass or door panel can be installed;
- ◆ Opening mosquito can be installed.

Opening door profile series 106

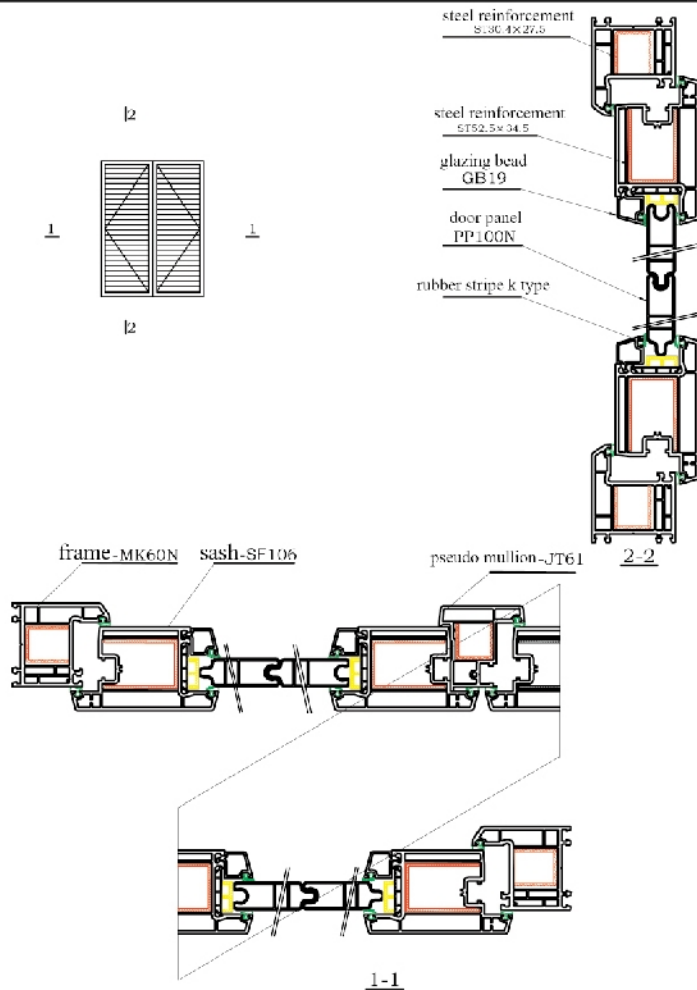
<p>Door frame MK60N 1.314kg/m</p>	<p>ST30.4 × 27.5</p>	4 PCS/PKG
<p>Mullion ST76Y 1.309 kg/m</p>	<p>ST27.5 × 16</p>	4 PCS/PKG
<p>Outward sash SF106 1.580kg/m</p>	<p>ST 52.5 × 34.5 38.5 × 34.5</p>	4 PCS/PKG
<p>Inward sash FR106 1.610kg/m</p>	<p>ST 52.5 × 34.5 38.5 × 34.5</p>	4 PCS/PKG
<p>Pseudo mullion JT61 0.920kg/m</p>	<p>ST25 × 26</p>	4 PCS/PKG

Opening door profile series 106

<p>Door panel PP100N 0.613kg/m</p>		10 PCS/PKG
<p>Single glazing bead GB34 0.290kg/m</p>		20 PCS/PKG
<p>Double glazing bead GB19 0.215kg/m</p>		20 PCS/PKG
<p>Frame auxiliary KF60 0.375kg/m</p>		14 PCS/PKG
<p>Aluminum threshold</p>		10 PCS/PKG

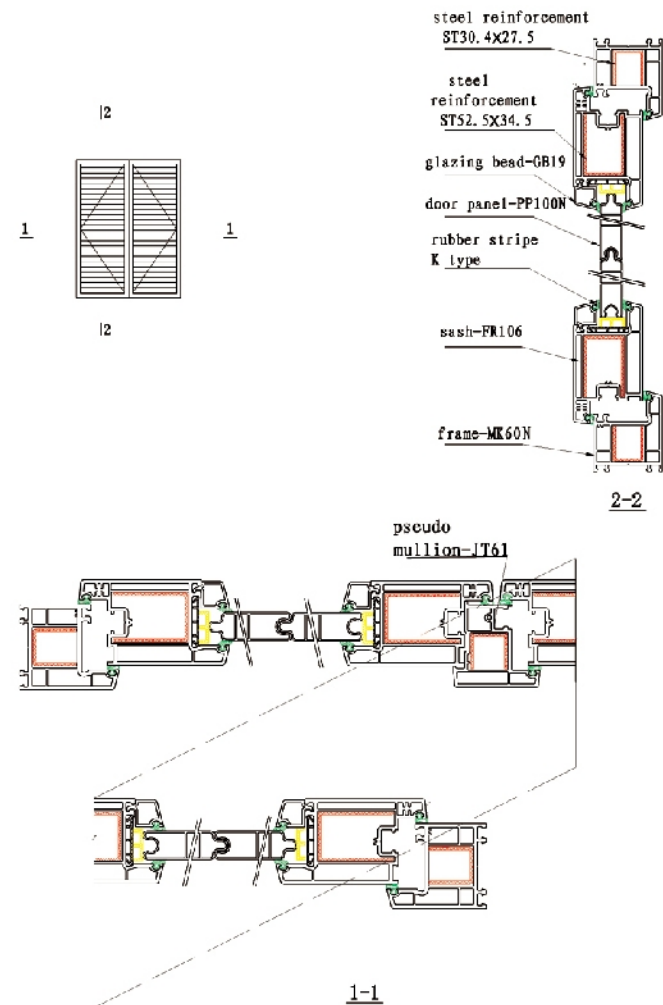
Opening door profile series 106

Outward opening door



Opening door profile series 106

Inward opening door





Anshan International pearl Mansion

Northeast Jilin Ka Han
Lin Yuan

Shenyang updown court

Sliding door profile series 62/95/112

- ◆ As main profiles, HF62 is three-chamber structure, HF95N is four-chamber structure, HF112 is five-chamber structure, separate drainage chamber for frame and sash.
- ◆ HF112 with the feature of three tracks can be used to produce big size windows with three separate sliding sashes.
- ◆ This system can be connected through the couplings of 90° , 135° , 180° ordinary or enhanced and arbitrary angle;
- ◆ The distance for the glass is 26mm, 11mm. Single or double insulating glass or door panel can be installed;
- ◆ Sliding mosquito sash can be installed on HF95N.

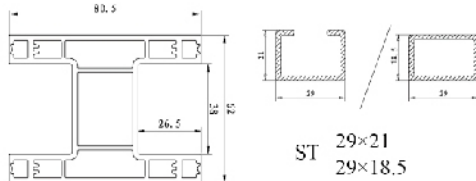
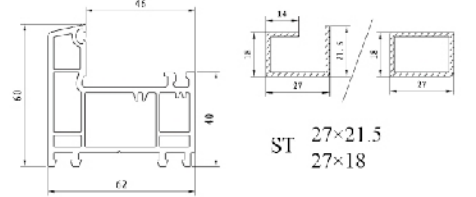
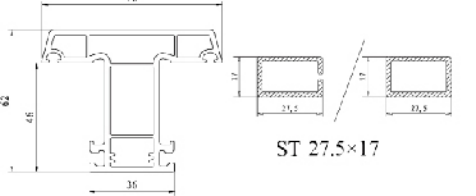
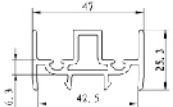
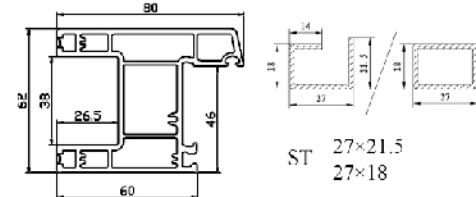
Sliding door profile series 62/95/112

Triple rail frame HF112 1.800 kg/m		2 PCS/PKG ST 29×21 29×18.5
Frame (aluminium rail) HF95N 1.687kg/m		4 PCS/PKG ST 29×21 29×18.5
Frame (aluminium rail) HF62 1.206kg/m		4 PCS/PKG ST 29×21 29×18.5
Sash SF66 0.990kg/m		6 PCS/PKG ST 29×17.5
Inter lock IL36 0.240 kg/m		20 PCS/PKG

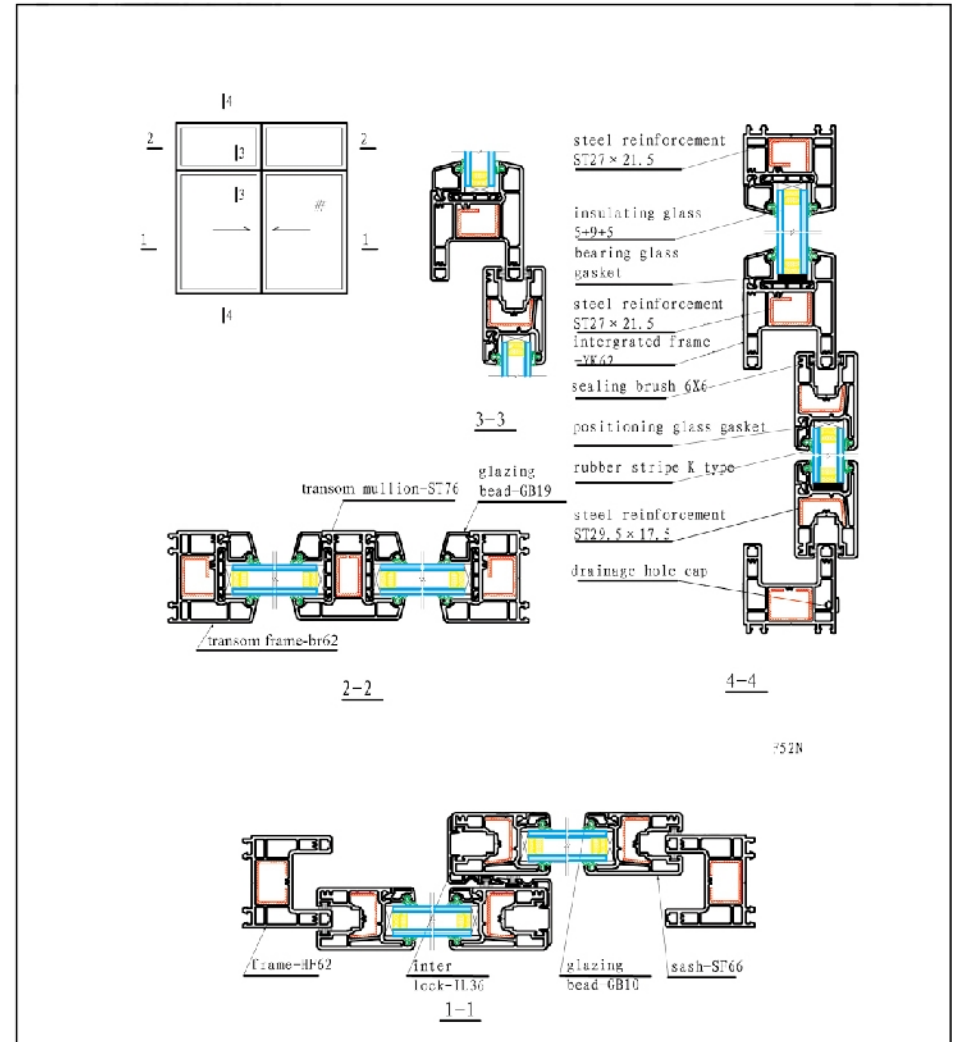
Sliding door profile series 62/95/112

Door sash SF92N 1.254kg/m		4 PCS/PKG ST 28×28
Inter lock IL50 0.27kg/m		20 PCS/PKG
Sash mullion SP66Y 0.904 kg/m		6 PCS/PKG ST 29×12.5
Screen sash MF50 0.690kg/m		9 PCS/PKG ST 21.5×13
Double glazing bead GB10 0.150kg/m		30 PCS/PKG 20 PCS/PKG
Single glazing bead GB25 0.225 kg/m		

Sliding door profile series 62/95/112

<p>Frame mullion SB62N 1.484kg/m</p>	 <p>ST 29×21 29×18.5</p>	<p>4 PCS/PKG</p>
<p>Transom frame BR62 1.075kg/m</p>	 <p>ST 27×21.5 27×18</p>	<p>4 PCS/PKG</p>
<p>Transom mullion ST76 1.09kg/m</p>	 <p>ST 27.5×17</p>	<p>4 PCS/PKG</p>
<p>Inter seal GM42N 0.470kg/m</p>		<p>12 PCS/PKG</p>
<p>Intergrated frame mullion YK62 1.360kg/m</p>	 <p>ST 27×21.5 27×18</p>	<p>4 PCS/PKG</p>

Sliding door profile series 62/95/112



Section II Colourful series

- Opening window profile series 60A
- Sliding window profile series 88A
- Opening window profile series 65A



Colourful series

Colourful series



Shenyang margin of love in the city



Chandon International Villa



Dalian Dragon River home



Four seasons States

Opening window profile series 60A

- ◆ Main profiles: three-chamber structure, separate drainage chamber;
- ◆ Model design: Inward or outward opening, inward opening with tilt, fixed window;
- ◆ This system can be connected through the couplings of 90° , 135° , 180° ordinary or enhanced and arbitrary angle;
- ◆ The distance for the glass is 26mm, 20mm, 5mm. Single or double insulating glass or door panel can be installed;
- ◆ Glazing bead is easy to be installed and more beautiful with the stream line;
- ◆ Clearance between the frame and sash is the common specification 3.5mm and convenient to hardware installation and adjustment;
- ◆ By using split pseudo mullion, double opening windows have good appearance and bigger daylighting areas.
- ◆ Opening frame and fixed frame can be designed separately to reduce the profile consumption and to increase the daylighting areas;
- ◆ Mullions have deferent designs sections to meet different requirement on strength;
- ◆ Outer opening windows can be designed to suit the installation of hinges, friction hinges and strengthened friction hinges;
- ◆ Coupling profiles have water retaining rib and rubber sealing structure to make the window system high water tight and air tight.
- ◆ This system can also be used to produce color co-extrusion profiles and multiple colors can be chosen.

Opening window profile series 60A

Frame BR60A-1 1.025kg/m		4 PCS/PKG ST 30.5 × 22 30.5 × 24
Frame BR60A-2 1.025kg/m		4 PCS/PKG ST 30.5 × 22 30.5 × 24
Frame BR48A-1 0.880kg/m		4 PCS/PKG ST 30.5 × 12
Inward sash FR70A-1 1.132kg/m		6 PCS/PKG ST 32.5 × 20
Mullion SE72A-1 1.046kg/m		4 PCS/PKG ST 30.5 × 18

Opening window profile series 60A

Mullion SR72A-2 1.046kg/m		4PCS/PKG
Mullion SE64A-1 0.947kg/m		4PCS/PKG
Outward sash SF78A-1 1.191kg/m		4PCS/PKG
Z mullion PZ72A-1 1.029kg/m		6PCS/PKG
Coupling YG60A-1 0.914kg/m		4PCS/PKG

Opening window profile series 60A

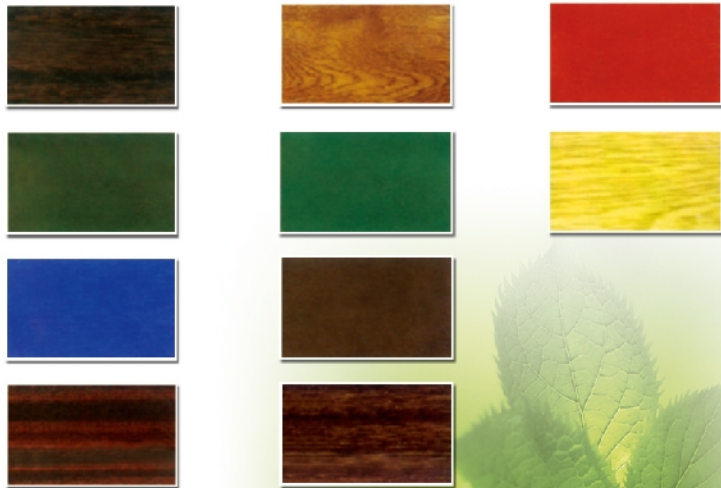
180° Coupling CP30A-1 0.636kg/m		6 PCS/PKG
90° Coupling CP90A-1 0.817kg/m		4 PCS/PKG
135° Coupling CP135A-1 0.678kg/m		8 PCS/PKG
Double glazing bead GB20A-1 0.205 kg/m		20 PCS/PKG
Single glazing bead GB35A-1 0.269kg/m		20 PCS/PKG
Coupling CP2A-1 0.210kg/m		20 PCS/PKG
Coupling PK60A-1 0.545kg/m		8 PCS/PKG

BUILDING THE BEAUTY OF FLOWERY ARCHITECTURE

AND LIVING ENVIRONMENT.

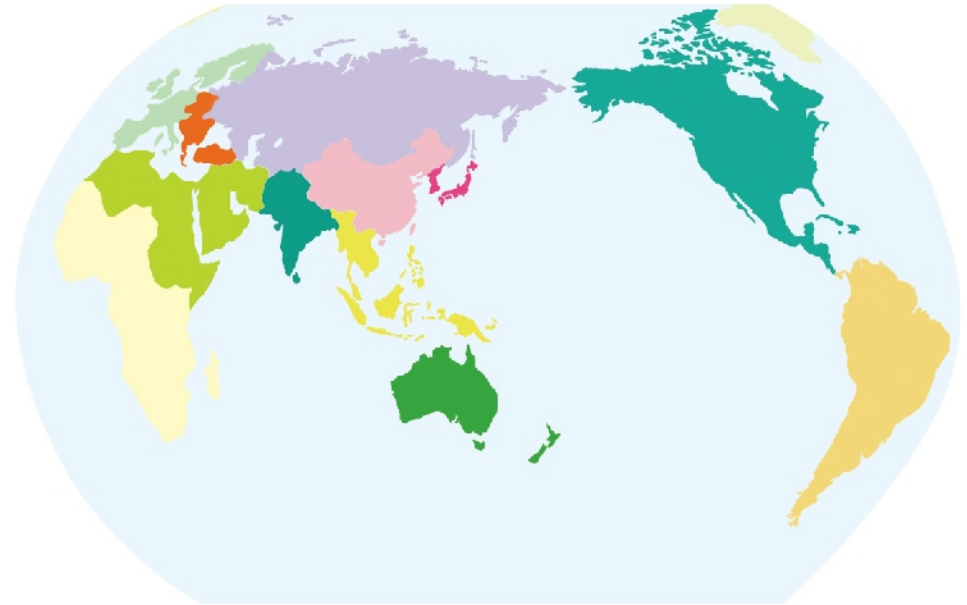
With unique wood texture and self-cleaning function, Shide laminated color profile has realized the floweriness and permanence for windows & doors, which has also promoted the art of architecture as well as the progress and sublimation for living by focusing on green, natural, clean and graceful environment.

- ◆ Passing through strict test and broad practical proof according to European standards with prominent anti-aging and durable property
- ◆ Adopting the environmentally friendly technology of solid heat soluble glue
- ◆ Adopting the most advanced material and state of the art equipments



■ Color is subject to practicality

The World Marketing Network



- | | |
|--|---|
| ■ Russian Division | ■ Australia and New Zealand Division |
| ■ Middle East and Northern Africa Division | ■ Northern America Division |
| ■ Japan and Korea Division | ■ Central and Southern America Division |
| ■ Southeast Asia Division | ■ Eastern Europe Division |
| ■ India and Pakistan Division | ■ Europe Division |



Beijing Next Door Neighbours



Dongguan Xinshiji garden



Wild Duck Lake Villa



Taizhou Huaneng Yuhuan



Fuzhou the first city Rongxin

Sliding window profile series 88A

- ◆ Main profiles: three-chamber structure, separate drainage chamber;
- ◆ Sliding window system and combined sliding window system can be realized;
- ◆ This system can be connected through the couplings of 90° , 135° , 180° ordinary or enhanced and arbitrary angle;
- ◆ The distance for the glass is 26mm, 20mm, 5mm. Single or double insulating glass or door panel can be installed;
- ◆ Sliding frame is designed as full edge size easy to install in net window portals and saving sealing silica gel;
- ◆ Aluminum adaptor be installed to mosquito sash rail on sliding frame to increase the water tight of the window system greatly;
- ◆ Beam window can be made by beam frame or 60A series frame easily;
- ◆ Inter lock profile has soft-hard co-extruded rubber strip to increase the air tight of the window systems;
- ◆ Four sashes sliding window systems can be realized. Inter lock profile has soft-hard co-extruded rubber strip to increase the air tight of the window systems;
- ◆ Combination mosquito sashes can be reached by sealing cap profile of this series;
- ◆ Glazing bead is easy to install, more beautiful due to the decoration line;
- ◆ Coupling profiles have water retaining rib and rubber sealing structure making the window system high water tight and air tight;
- ◆ This series can also be made to color co-extrusion profiles; several colors can be chosen;
- ◆ National patent No.200620091044.0

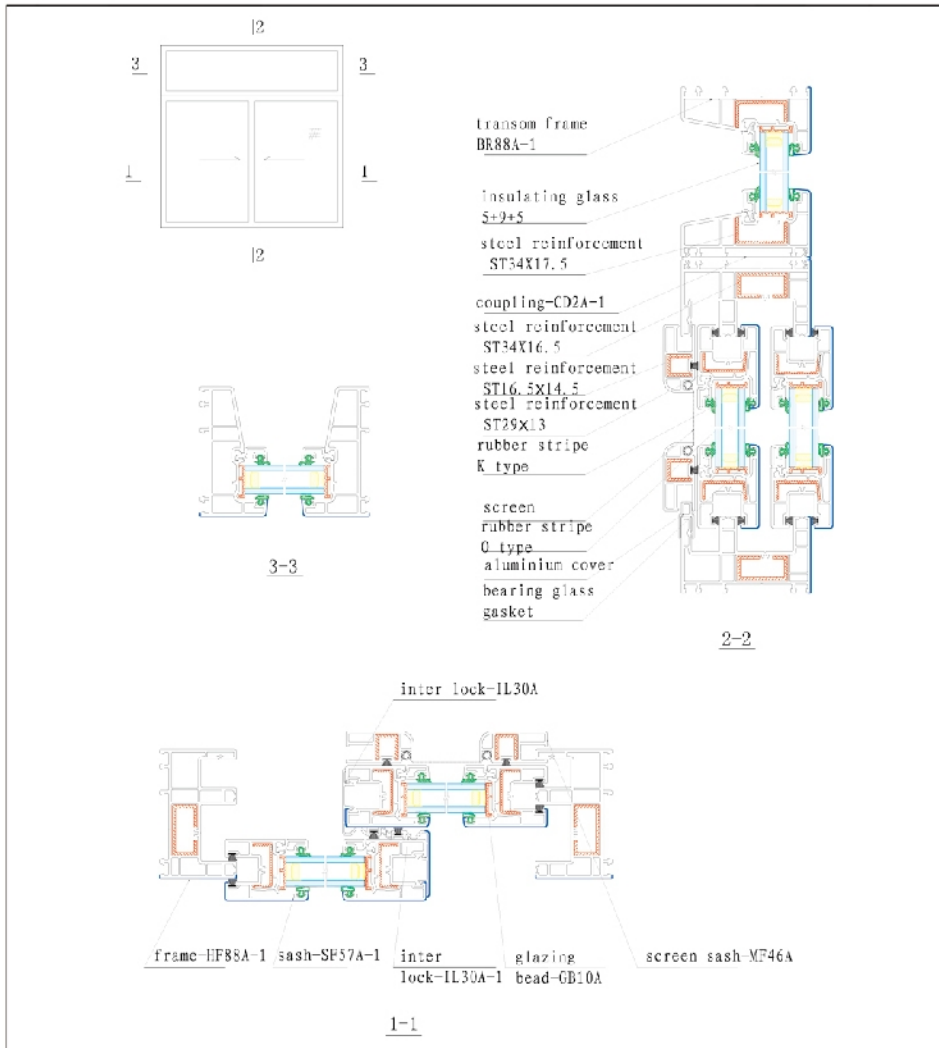
Sliding window profile series 88A

<p>Frame</p> <p>HF88A-1</p> <p>1.352kg/m</p>		<p>4 PCS/PKG</p>
<p>Frame mullion</p> <p>SE88A-1</p> <p>1.727kg/m</p>		<p>2 PCS/PKG</p>
<p>frame</p> <p>BR88A-1</p> <p>1.014kg/m</p>		<p>4 PCS/PKG</p>
<p>Sash1</p> <p>SF57A-1</p> <p>0.809kg/m</p>		<p>6 PCS/PKG</p>
<p>Inter lock 1 Inter lock 1</p> <p>IL30A IL30A-1</p> <p>0.221kg/m 0.221kg/m</p>		<p>30 PCS/PKG</p> <p>30 PCS/PKG</p>

Sliding window profile series 88A

<p>Screen sash</p> <p>MF46A</p> <p>0.446kg/m</p>		<p>12 PCS/PKG</p>
<p>Sash mullion</p> <p>SP66A-1</p> <p>0.739kg/m</p>		<p>6 PCS/PKG</p>
<p>Sash 2</p> <p>SF66A-1</p> <p>0.990kg/m</p>		<p>6 PCS/PKG</p>
<p>Inter lock 2</p> <p>LL35A LL35A-1</p> <p>0.237kg/m 0.237kg/m</p>		<p>20 PCS/PKG</p>
<p>Transom frame mullion</p> <p>ST88A-1</p> <p>1.138kg/m</p>		<p>4 PCS/PKG</p>

Sliding window profile series 88A



Pattern time plot



Dalian University of Foreign Languages



Yinchuan Lanshandijing

Characteristic of 65A multi-sealing series

◆This system can be used for color casement window. The profile is made from most advanced compound processing aid in the world, and imported PVC and TiO₂, based on scientific formulation. All feathers are over the National Standards. Window system is with registered patent technology, not only good appearance, but also high energy saving feathers. This window is the best choice in the bitter cold regions, cold regions and hot summer and cold winter regions.

◆65 multi-sealing series casement windows have five-chamber structure profiles, can install triple glass, and easy to convert among double sealings, triple sealings and quadruple sealings, have high water tight, air tight and insulating feathers, is the best choice in bitter cold regions and cold regions. This window system has a good appearance, easy to assembling, good cost performance with our patent technology.

◆Basic data

Frame width: 65mm;

Main profiles : five-chamber structure ;

Triple glass can be installed; biggest distance for glass is 38mm;

The converting design between triple and quadruple sealings, through the removable structure of sealing profiles.

With the same performance, the cost of our windows is only 70%-75% of aluminum windows, 50%-60% of wooden windows.

Characteristic of 65A multi-sealing series

◆Advantage 1

Quadruple sealing energy saving structures patent

Patent No. 2007200124330.4

◆Advantage 2

Easy to convert among the double sealings, triple sealings and quadruple sealings with removable sealing structures.

◆Advantage 3

The profiles designed 5 chambers energy saving structures has high thermo insulating and energy saving feathers.

◆Advantage 4

Large interval among triple glass can increase the energy saving features of the windows.

◆Advantage 5

High cost performance

◆Consumption of profiles per window has competitive advantage

◆This profile suits to use with the common coupling profiles, beside the new designed profile.

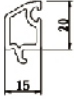
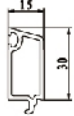
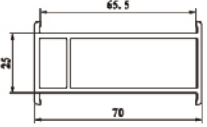
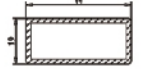
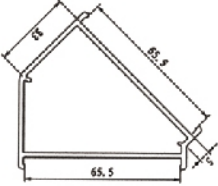
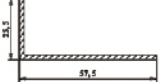
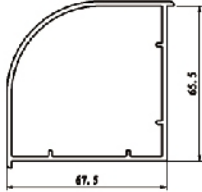
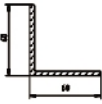
Opening window profile multi-sealing series 65A

<p>Frame BR65A-1 1.294kg/m</p>		<p>4 PCS/PKG</p>
<p>Mullion SE65A-1 1.437kg/m</p>		<p>4 PCS/PKG</p>
<p>Inward sash FR65A-1 1.288kg/m</p>		<p>4 PCS/PKG</p>
<p>Outward sash SF65 1.463kg/m</p>		<p>4 PCS/PKG</p>
<p>Triples adapter profile for sealing FL65A 0.152kg/m</p>		<p>20 PCS/PKG</p>

Opening window profile multi-sealing series 65A

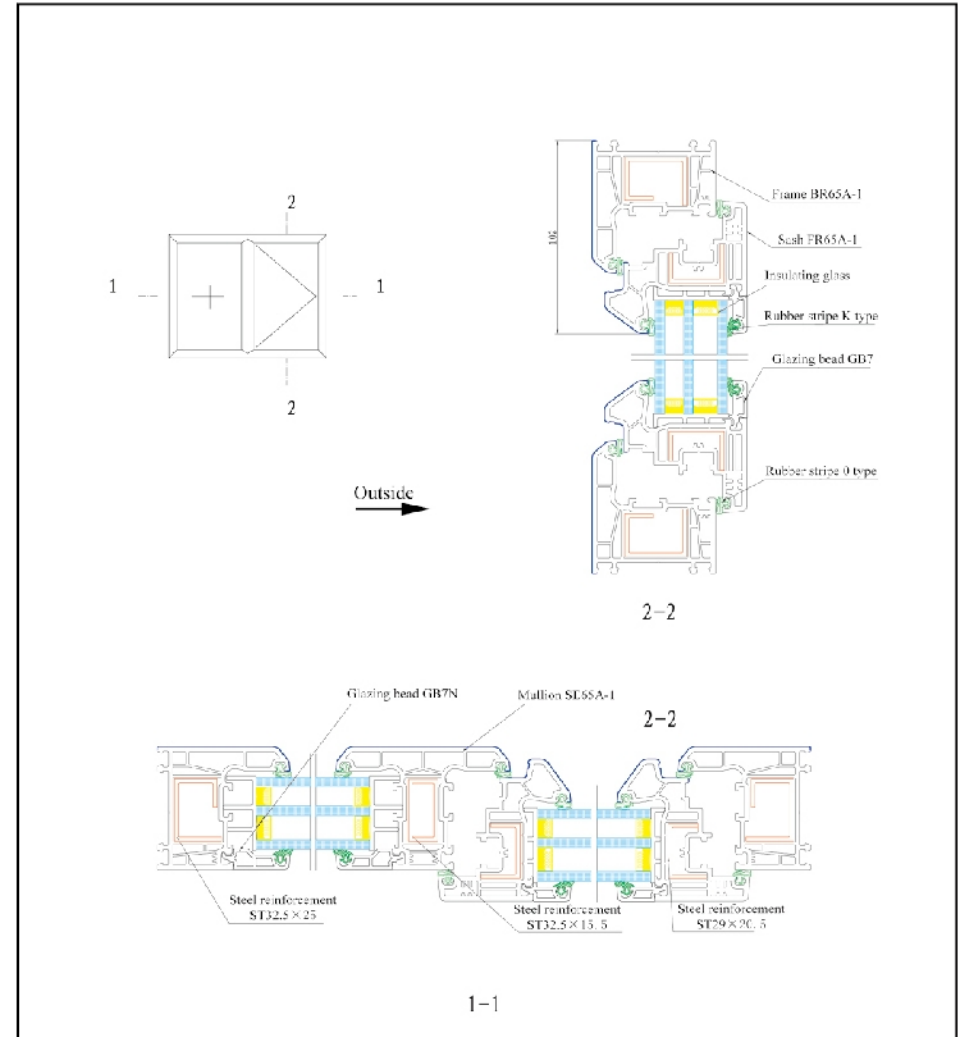
<p>Quadruple adapter profile for sealing FL65B 0.207kg/m</p>		<p>20 PCS/PKG</p>
<p>Triple glazing bead for sash GB7 0.148kg/m</p>		<p>30 PCS/PKG</p>
<p>Triple glazing bead for frame GB7N 0.212kg/m</p>		<p>30 PCS/PKG</p>
<p>Double glazing bead for sash GB19 0.215kg/m</p>		<p>20 PCS/PKG</p>
<p>Double glazing bead for frame GB19N 0.232kg/m</p>		<p>20 PCS/PKG</p>

Opening window profile multi-sealing series 65A

Triple glazing bead for sash GB15N 0.198kg/m		20 PCS/PKG
Triple glazing bead for frame YT15 0.233 kg/m		20 PCS/PKG
Coupling CE25 0.630kg/m	 	8 PCS/PKG
135° Coupling CE135 0.674kg/m	 	8 PCS/PKG
90° Coupling CE90 0.740kg/m	 	4 PCS/PKG

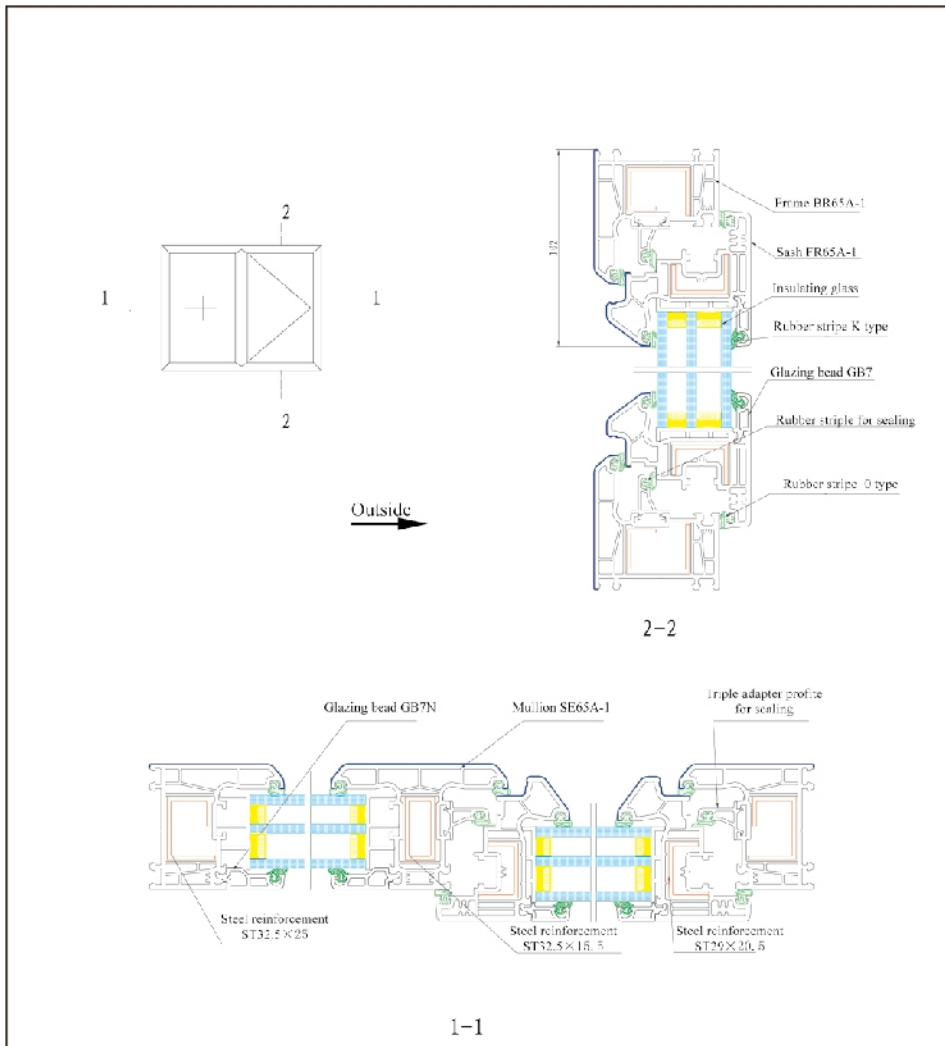
Opening window profile multi-sealing series 65A

Double sealing window



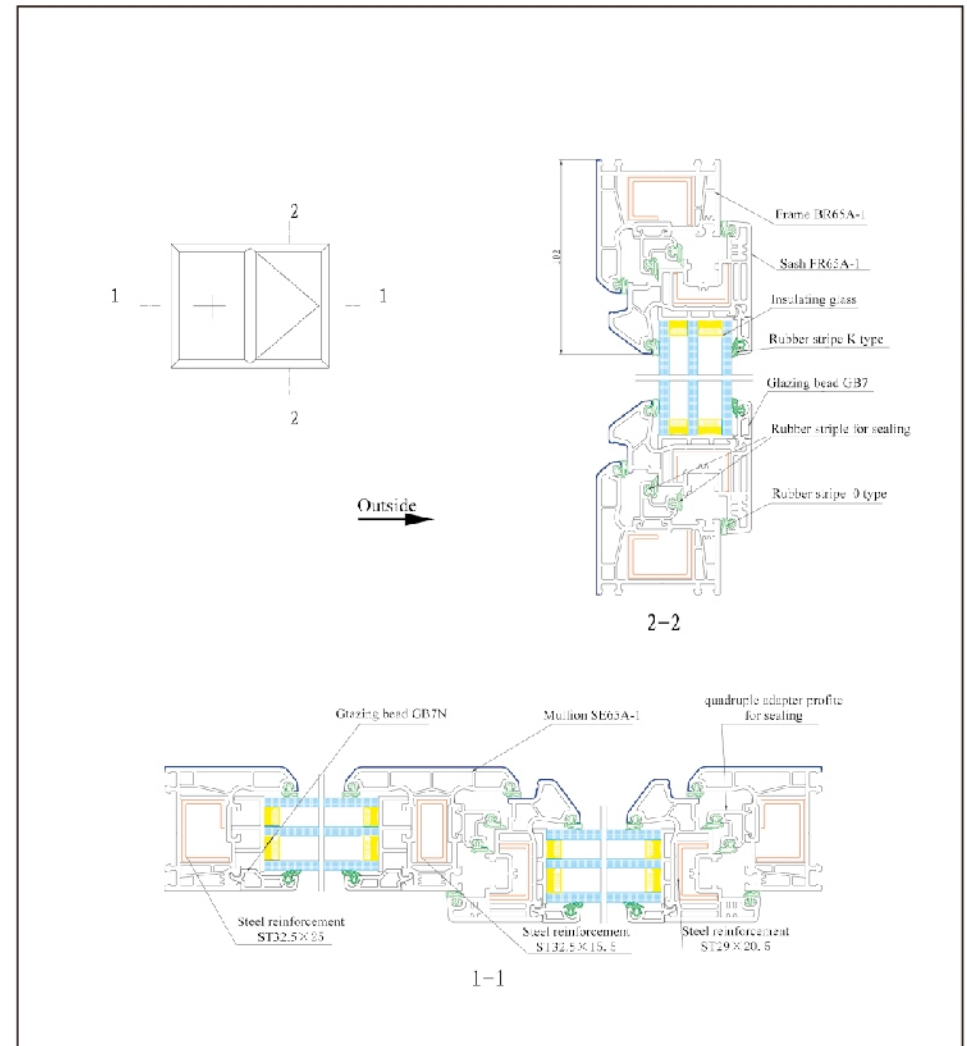
Opening window profile multi-sealing series 65A

Triple sealing window



Opening window profile multi-sealing series 65A

Quadruple sealing window



Section III European series

- Opening window profile series 66
- Opening window profile series 70



The victory of Qingdao International Garden



Southwest Agricultural Area



Ningbo Notting Hill County

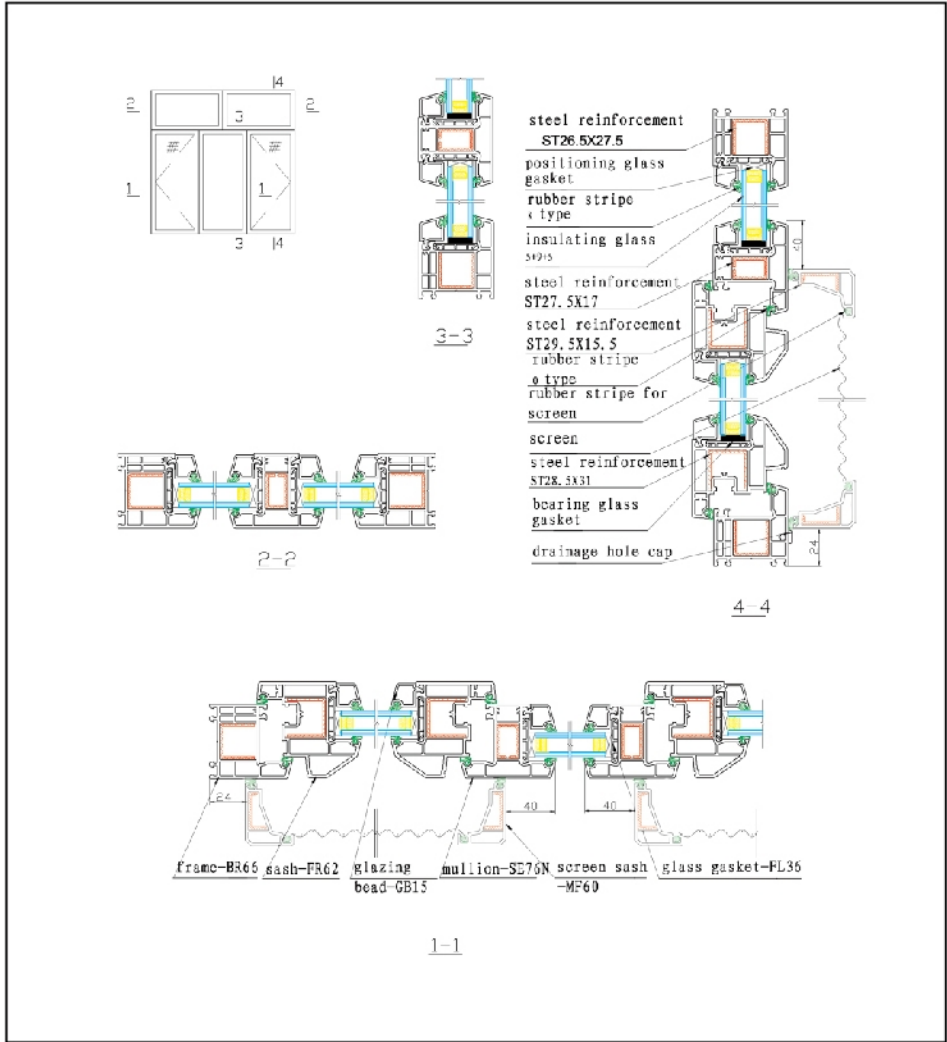
Opening window profile series 66

- ◆ Main profile: Four-chamber structure, adopting the streamline design to make the appearance pretty and elegant;
- ◆ Adopting the design of waterproof to improve drainage property;
- ◆ Model design: inward opening, inward opening with tilt fixed window etc;
- ◆ This system can be connected through the couplings of 90° , 135° , 180° ordinary or enhanced and arbitrary angle;
- ◆ The distance for the glass is 34mm、30mm、26mm、18mm、14mm、11mm. Single or double insulating glass can be installed.
- ◆ Opening mosquito sash can be installed.

Opening window profile series 66

<p>Frame</p> <p>BR66</p> <p>1.170kg/m</p>	<p>ST 26.5×27.5</p>	4 PCS/PKG
<p>Sash</p> <p>FR62</p> <p>1.446kg/m</p>	<p>ST 28.5×31</p>	4 PCS/PKG
<p>Pseudo mullion</p> <p>JT61</p> <p>0.920kg/m</p>	<p>ST 25×26</p>	4 PCS/PKG
<p>Mullion</p> <p>SE76N</p> <p>1.115kg/m</p>	<p>ST 27.5×17</p>	4 PCS/PKG
<p>Double glazing bead</p> <p>GB15</p> <p>0.200kg/m</p>		20 PCS/PKG
<p>Triple glazing bead</p> <p>GB11</p> <p>0.180kg/m</p>		30 PCS/PKG

Opening window profile series 66



European series

European series



Southwest of Pearl International



Lanzhou Hongyun Garden



Yuhuan European Garden

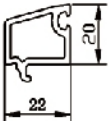
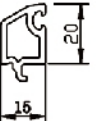
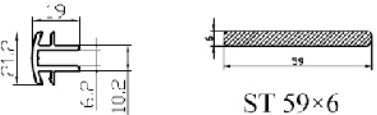
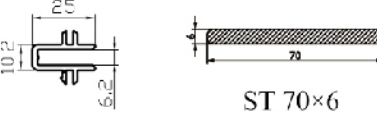
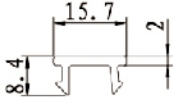
Opening window profile series 70

- ◆ Main profile : five-chamber structure, wall thickness of 3.0mm, separate drainage chamber;
- ◆ This system is top grade series of Shide profiles.
- ◆ Model design: Inward opening, inward opening with tilt, fixed window etc;
- ◆ This system can be connected through the couplings of 90° , 180° ordinary or enhanced;
- ◆ Triple or double insulated glass can be installed with glass distance of 38mm、31mm
- ◆ Opening mosquito sash can be installed.

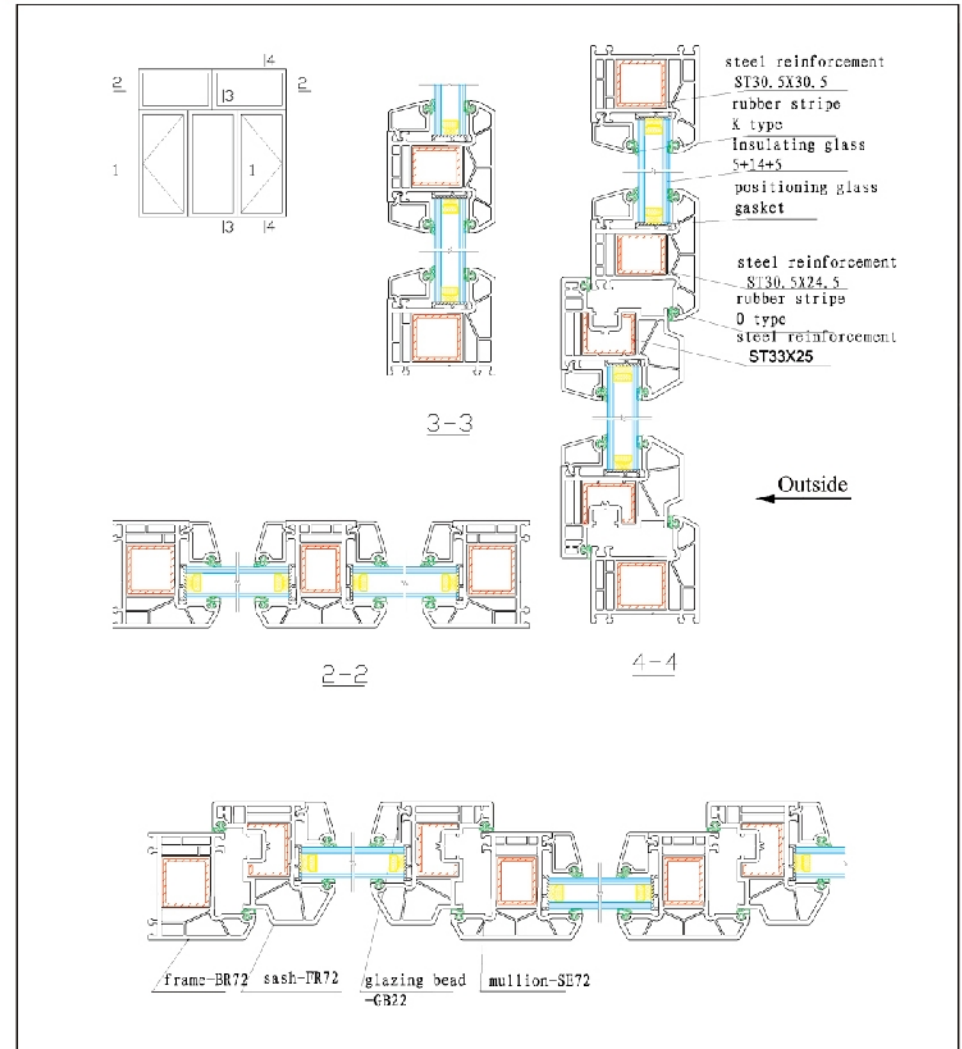
Opening window profile series 70

<p>Frame BR72 1.483kg/m</p>	<p>ST 30.5x30.5</p>	4 PCS/PKG
<p>Mullion SE72 1.659kg/m</p>	<p>ST 24.5x30.5</p>	2 PCS/PKG
<p>Sash FR72 1.718kg/m</p>	<p>ST 25x33</p>	2 PCS/PKG
<p>180° Coupling CJ30A 0.766kg/m</p>	<p>ST 50x20</p>	6PCS/PKG
<p>90° Coupling CJ90A 0.807kg/m</p>	<p>ST 60x60</p>	4 PCS/PKG

Opening window profile series 70

Double glazing bead GB22 0.239kg/m		20 pcs/pkg
Triple glazing bead GB15N 0.198kg/m		20 pcs/pkg
Coupling CA6 0.185kg/m		20 pcs/pkg
Coupling CP6 0.205kg/m		20 pcs/pkg
European groove cover KT16 0.075kg/m		30 pcs/pkg

Opening window profile series 70



Section IV

American series

- Hand-roll casement window profile
- American-style hung window profile



American series



Northeast Jinzhou JETCO International Garden



Dalian Jinchuan homes



Lanzhou Tianyuan Jiazuo

American series

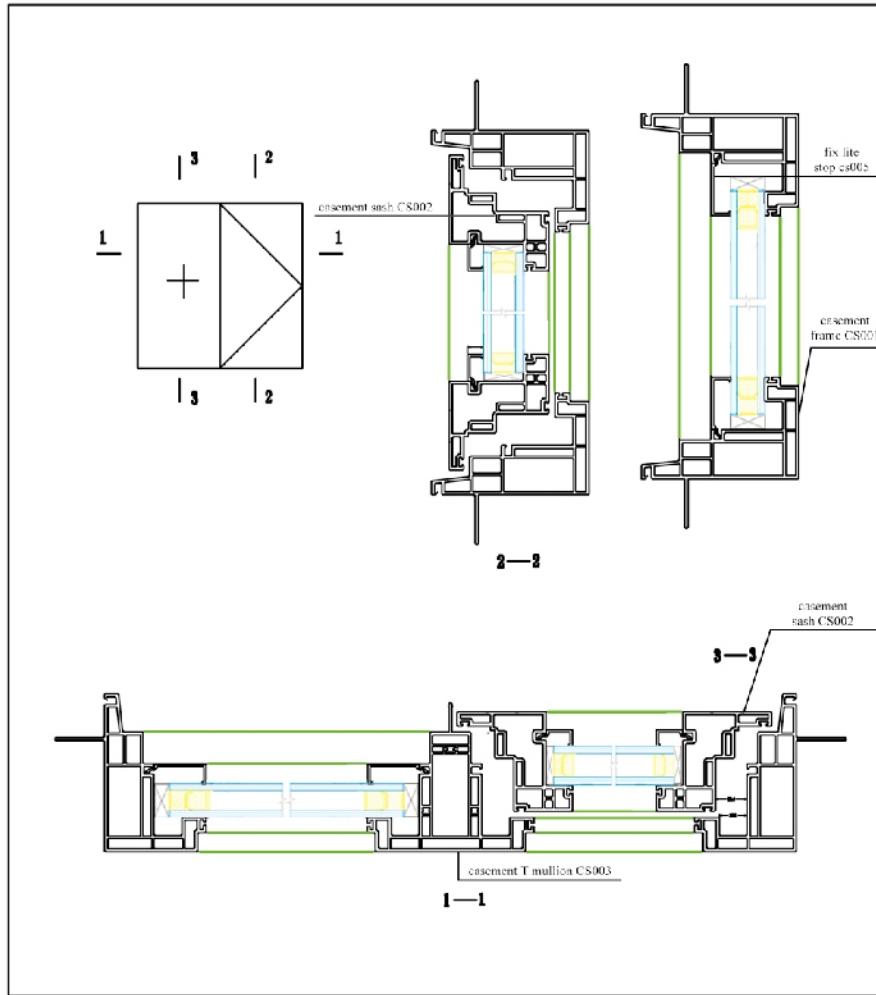
American style window profile

- ◆ Profile items include CS001、CS002、CS003、CS004、CS005、SS016、SS017 etc. for hand-roll casement window and SS001、SS003、SS004、SS005、SS006、SS007、SS008、SS009 etc. for hung window.
- ◆ The thickness of the main profiles is 1.8-2.0mm; the thickness of the accessory profiles is 1.5mm.
- ◆ The profile is the multiple-chamber, to ensure the strength of the finished windows.
- ◆ The formula of the profiles is the lead free; belong to Calcium and Zinc group.
- ◆ The fixing board is needed for new buildings but needless for replacement windows.
- ◆ The connection for the arbitrarily connection windows, for the corner windows or the special degree windows.
- ◆ Single or double insulating glass can be installed.
- ◆ Opening and sliding mosquito sash can be installed.

Hand-roll casement window profile

Casement frame CS001 1.107kg/m		4 PCS/PKG
Casement sash CS002 0.552kg/m		8 PCS/PKG
Casement T mullion CS003 1.159kg/m		4 PCS/PKG
0 deg mullion 10/15 deg mullion SS016 SS017 0.372kg/m 0.607kg/m		12PCS/PKG 8 PCS/PKG
fixed lite stop 7/8" 3/4" CS005 CS004 0.167kg/m 0.179kg/m		20PCS/PKG 20PCS/PKG

Hand-roll casement window profile



American-style hung window profile

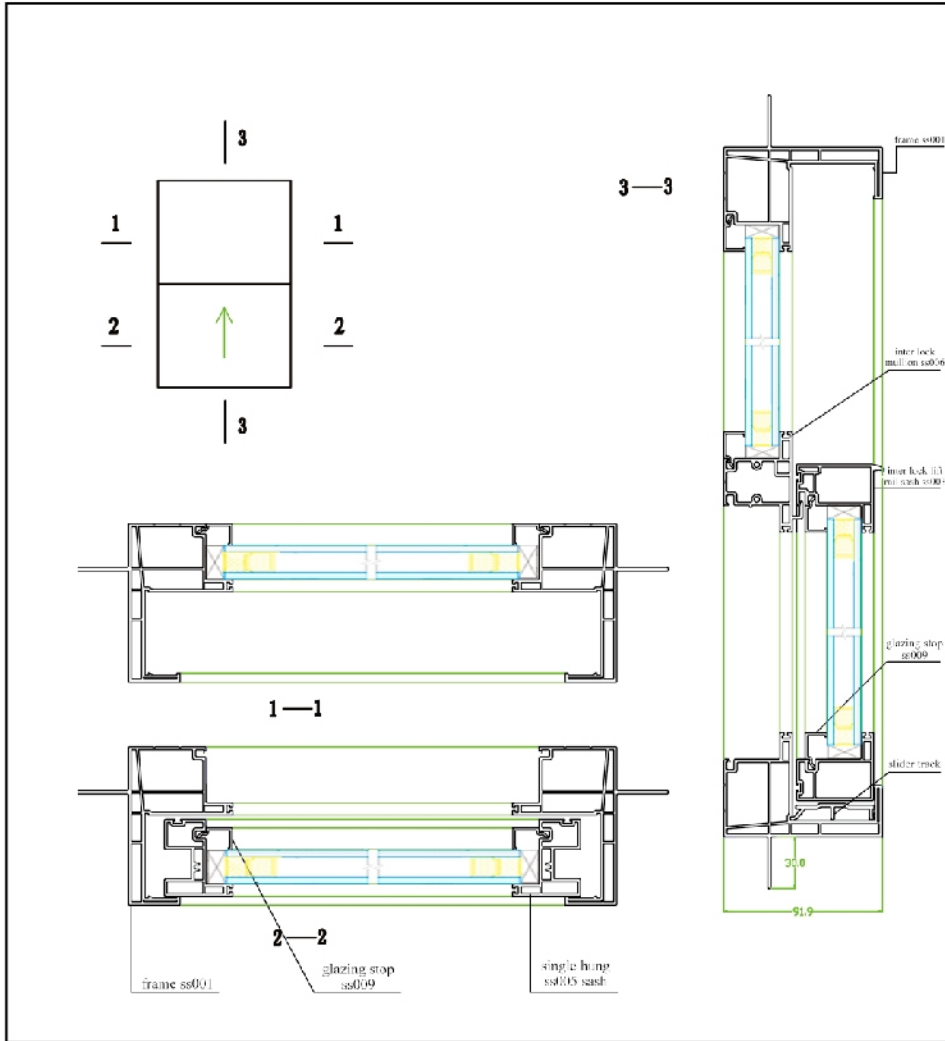
<p>single hung slider frame SS001 1.107kg/m</p>		<p>4 PCS/PKG</p>
<p>inter lock mullion SS006 0.623kg/m</p>		<p>8 PCS/PKG</p>
<p>Inter lock lift rail sash SS003 0.489kg/m</p>		<p>12 PCS/PKG</p>
<p>single slider common sash SS004 0.450kg/m</p>		<p>12 PCS/PKG</p>

American-style hung window profile

slider track SS007 0.208kg/m		20 PCS/PKG
Anti-lift SS008 0.180kg/m		20 PCS/PKG
glazing stop 3/4" SS009 0.064kg/m		50 PCS/PKG
glazing stop 7/8" SS010 0.059kg/m		50 PCS/PKG
glazing stop SS012 0.098kg/m		40 PCS/PKG
single hung sash SS005 0.528kg/m		8 PCS/PKG

American-style hung window profile

Single hung window





Shanghai green blue Pavilion



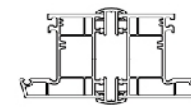
Xining Hui-min, golden homes



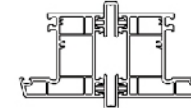
The Northeast League branch Mansion

Example connection drawings for slide profile

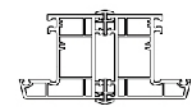
Coupling for series 60



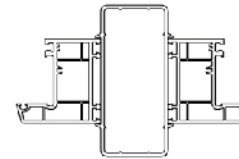
CA6



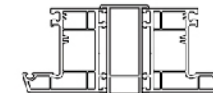
CP6



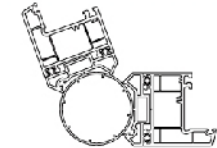
CP2



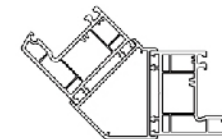
CP40



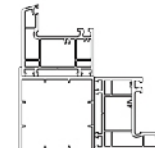
CP25C



PK60N&YG60

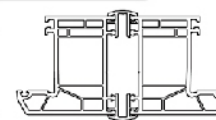


CP135C

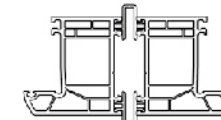


CP90C

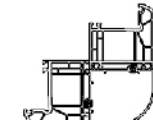
Coupling for series 70



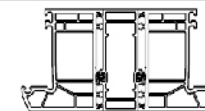
CA6



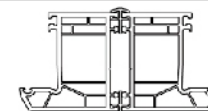
CP6



CJ90A



CJ30A

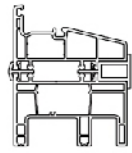


CP2

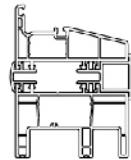
Example connection drawings for shide profile

Example connection drawings for shide profile

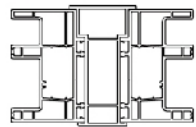
Coupling for series 80



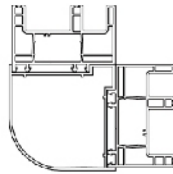
CP2&CC2N



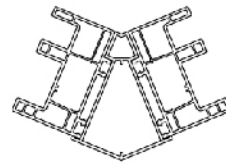
CP6&CC6



CC25C

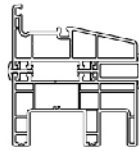


CC90C



CC135C

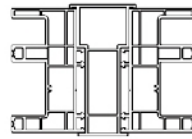
Coupling for series 88



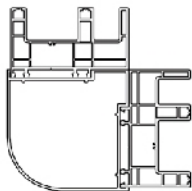
CP2&CD2N



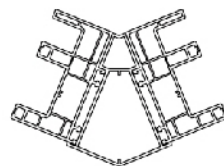
CA6&CD6



CD25C

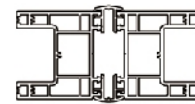


CD90C

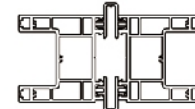


CD135N

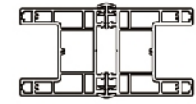
Coupling for series 62



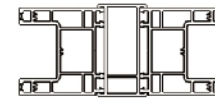
CA6



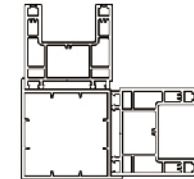
CP6



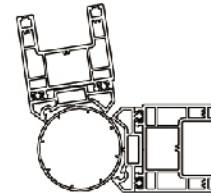
CP2



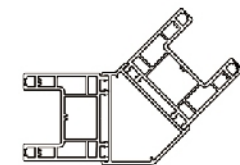
CP25C



CP90C

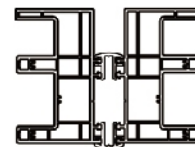


PK60N & YG60

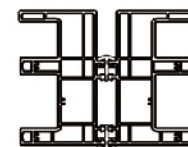


CP135C

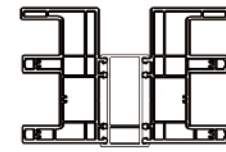
Coupling for series 95



CA6



CP2



CP25C

Example connection drawings for shide profile

Example connection drawings for shide profile

Coupling for series 60A

CP2A-1 CP30A-1 PK60A-1&YG60A-1

CP90A-1 CP135A-1

Coupling for series 88A

CD55A-1 CD90A-1 CD90A-1

CD135A-1 CD2A-1 CD30A-1

Coupling for series 65A

CP2 CE135A-1

KT16 CP48A-1

Coupling for American series

SS016 SS017

Coupling for series 106

Aluminum threshold with KF60